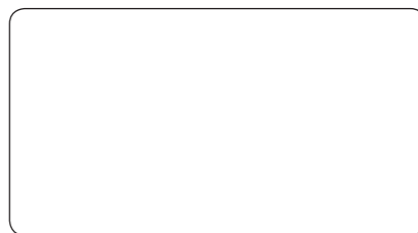
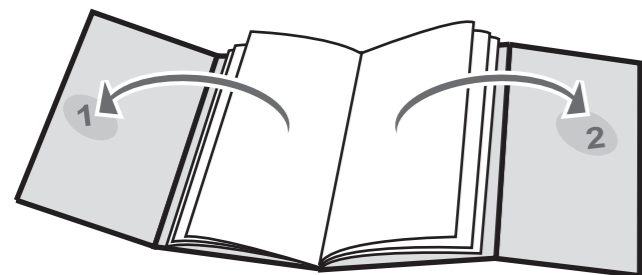




**POWER  
TOOLS**



[www.sparky.eu](http://www.sparky.eu)

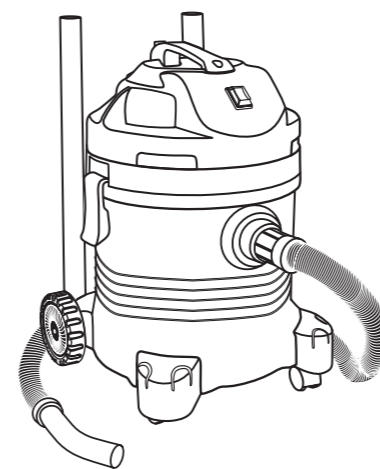
1707R04

© 2010 SPARKY

**SPARKY**

[www.sparky.eu](http://www.sparky.eu)

EN	WET / DRY VACUUM CLEANER	1 – 7
	Original instructions	
DE	NASS / TROCKENSAUGER	8 – 15
	Originalbetriebsanleitung	
FR	ASPIRATEUR EAU / POUSSIÈRE	16 – 23
	Notice originale	
IT	ASPIRAPOLVERE/ASPIRALIQUIDI	24 – 30
	Istruzioni originali	
ES	ASPIRADORA DE LIMPIEZA EN HÚMEDO/SECO	31 – 38
	Instrucciones de uso originales	
PT	ASPIRADOR DE LIMPEZA A SECO / MOLHADO	39 – 46
	Instrução original para o uso	
PL	ODKURZACZ WARSZTATOWY	47 – 54
	Instrukcja oryginalna	
RU	ПЫЛЕСОС ДЛЯ ВЛАЖНОЙ / СУХОЙ ОЧИСТКИ	55 – 62
	Оригинальная инструкция по эксплуатации	
UK	ПИЛОСОС ДЛЯ ВОЛОГОГО / СУХОГО ПРИБИРАННЯ	63 – 70
	Оригінальна інструкція з експлуатації	
BG	ПРАХОСМУКАЧКА ЗА МОКРО / СУХО ПОЧИСТВАНЕ	71 – 78
	Оригинална инструкция за използване	



**1250W**

**VC 1221**



A



B

# Contents

Introduction .....	1
Technical specifications.....	3
Safety instructions for vacuum cleaners .....	3
Know your product .....	5
Operation instructions.....	5
Maintenance .....	7
Warranty.....	7

## Introduction

---

Your new SPARKY electric appliance will more than satisfy your expectations. It has been manufactured under stringent SPARKY Quality Standards to meet superior performance criteria. You will find your new electric appliance easy and safe to operate, and, with proper care, it will give you many years of dependable service.



### **WARNING:**

Carefully read through these entire Original instructions before using your new SPARKY electric appliance. Take special care to heed the warnings. Your SPARKY electric appliance has many features that will make your job faster and easier. Safety, performance, and dependability have been given top priority in the development of this appliance, making it easy to maintain and operate.



### **Do not dispose of electrical products together with household waste!**

Waste electrical products should not be disposed of with household waste. Please recycle where facilities exist. Check with your local authority or retailer for recycling advice.



### **ENVIRONMENTAL PROTECTION**

The machine, accessories and packaging should be sorted for environmental-friendly recycling. The plastic components are labelled for categorised recycling.

## DESCRIPTION OF SYMBOLS

The rating plate on your electric appliance may show symbols. These represent important information about the product or instructions on its use.



Double insulated for additional protection

---



Wet vacuum cleaner

---



Conforms to the requirements of Russian standards

---



Conforms to the requirements of Customs Union regulations.

---



Conforms to the requirements of Ukrainian standards

---



Read the instruction manual

---

**YYYY-Www** Production period, where the variable symbols are:  
**YYYY** - year of manufacture, **ww** - calendar week number

---

**VC** VACUUM CLEANER

---

# Technical specifications

Model	VC 1221
▪ Power input	1250 W
▪ Maximum suction power	1500 W
▪ Tank capacity	20 l
▪ Tank material	plastic
▪ Dust bag capacity	20 l
▪ Maximum suction force	18 kPa
▪ Maximum air flow	55 l/s
▪ Air flow according to EN 60312	27 l/s
▪ Wet vacuuming	Yes
▪ Air control handle	No
▪ Hose diameter	Ø36 mm
▪ Hose length	1,5 m
▪ Cable length	4 m
▪ Operating radius	6 m
▪ Weight (EPTA procedure 01/2014)	4,5 kg
▪ Protection class	IP X4
▪ Safety class	□ / II
▪ <b>Noise emission</b> (measured values determined according to EN 60704-1)	
A-weighted sound pressure level $L_{pA}$	75,6 dB(A)
A-weighted sound power level $L_{WA}$	88,7 dB(A)



**Wear hearing protection!**

## Safety instructions for vacuum cleaners

- This appliance is not intended for use by children and persons with physical, sensory or mental limitations or a lack of experience or knowledge.
- This appliance can be used by children aged from 8 years and above and persons with reduced physical, sensory or mental capabilities or lack of experience and knowledge if they have been given supervision or instruction concerning use of the appliance in a safe way and understand the hazards involved. Children shall not play with the appliance. Cleaning and user maintenance shall not be made by children without supervision.



**WARNING:** This appliance complies with the compulsory safety regulations for electric equipment. To reduce the risk of injury, user must read instruction manual. Read all instructions. Failure to follow all instructions listed below may result in personal injury and/or property damage and as a result, the guarantee will become void.

**Save these instructions for future reference!**



**WARNING:** Make sure the power supply voltage corresponds to the value indicated on the name plate with technical data of the appliance.

- If in doubt, do not plug in the appliance.
- A power source with a voltage greater than that specified for the appliance can result in serious injury to the user, as well as damage to the appliance.
- Using a power source with a voltage less than the nameplate rating is harmful to the motor.

- The appliance is designed to vacuum up materials that are not hazardous to your health and that are not flammable.
- This appliance is suitable for use in the household or workshop.
- Do not use the appliance outdoors (unless it has been specifically designed for use outdoors).
- Do not subject the appliance to heat, direct sunshine or high moisture (e.g. rain).
- Never immerse the appliance in liquids and be aware of sharp edges that may damage it.
- Never use the appliance with wet or damp hands. Unplug it immediately if the appliance becomes wet or damp when it is running. Do not immerse the appliance in water.
- When operating the vacuum cleaner in damp environment, use a residual current device (RCD). Using a residual current device (RCD) reduces the risk of an electric shock.
- The appliance must be used only for its prescribed purpose. Any use other than those mentioned in this Manual will be considered a case of misuse. The user and not the manufacturer shall be liable for any damage or injury resulting from such cases of misuse.
- Never hold the connectors in front of your face (especially your eyes, ears, etc.) Never direct the nozzle towards persons or animals.
- Make sure that the correct dust bag has been inserted securely in its holder before using the appliance. The wrong dust bag or incorrectly installed dust bags can cause damage to the appliance and cause the guarantee to become void.
- Do not vacuum up ashes, hot coals or the like, large fragments of glass and sharp objects.
- Do not vacuum up any toner dust, which is used in printers and copiers for example, because it is electrically conductive. In addition, it is possible that it will not be completely filtered out by the filter system of the wet/dry vacuum cleaner and can be released into the air via the exhaust fan.
- Never vacuum flammable or poisonous liquids like petrol, oil, acids, or other volatile substances.
- Do not vacuum up liquids that are hotter than 60°C or any poisonous or flammable dusts.
- Never vacuum asbestos or asbestos dust.
- Never lay the appliance on its side. Pay particular attention to a horizontal position and adequate stability on stairs.
- Make sure that the cable can't cause bystanders to stumble and do not give children access to the appliance.
- Check regularly the perfect working condition of the electric appliance and the supply cable. Do not operate faulty electric appliances.
- In case the supply cable is damaged, the replacement has to be done in an authorised SPARKY service centre.
- Do not attempt to repair the appliance yourself. The repair of these electric appliances can be performed only by qualified technicians in the authorised SPARKY service centres using original spare parts. Incorrect repair may cause considerable danger for the operator.
- Only use original SPARKY spare parts and accessories. The use of non approved parts or accessories may be a possible source of danger and will cause the guarantee to become void.
- Check the float often.
- If you notice liquid leaking from your appliance, switch it off immediately and unplug it.
- Do not put the appliance in water. Make sure that water is not spilled on the appliance.
- When disposing of the wastewater, make sure that you observe any legal regulations.
- Only store the appliance in a safe and dry location outside the reach of children.
- Always keep the appliance clean. Don't use any solvents or cleaners that contain solvents for cleaning.

Please pay particular attention to the following "Special Safety Information"

#### **SPECIAL SAFETY INFORMATION**

- Never vacuum up hot ashes, pointed or sharp objects.
- Never use the appliance in damp premises.
- When using the appliance, make sure that no hair, clothing, or members are drawn in.
- Keep the vacuum cleaner away from heat sources such as radiant heaters, ovens, etc.
- In order to operate this electric appliance properly you must observe the safety regulations, the assembly directions and the operating instructions specified in this Manual. All users must be acquainted with this manual and informed on the potential risks during operating the electric appliance.
- This appliance is not intended for use by persons (including children) with reduced physical, sensory or mental capabilities, or lack of experience and knowledge, unless they have been given supervision or instruction concerning use of the appliance by a person responsible for their safety.
- Children should be supervised to ensure that they do not play with the appliance.
- The manufacturer shall not be liable for any changes made to the tool nor for any damage resulting from such changes.
- Electric appliances must not be used outdoors in rainy weather, or in moist environment (after rain) or in close vicinity with easily flammable liquids and gases. The working place should be well lit.



**WARNING:** Always switch off and unplug the appliance after use, prior to cleaning, changing the filters or accessories, carrying or storing. Do not use the cable to pull the plug out of the socket. Dismount all accessories from the appliance prior to storing.

- Keep the vacuum cleaner away from heat sources
- Never leave the appliance switched on unattended. If you leave the work area, switch the appliance off or unplug it from the receptacle (don't pull the cord, but use the plug).
- Never use the appliance when you are under the influence of medication, alcohol or drugs, if you are currently under medical care, or if you are tired.

## Know your product

1. Handle
2. ON/OFF switch
3. Upper section
4. Filter basket
5. Float
6. Clamps
7. Tank
8. Hose connection
9. 2 castors
10. Hose set
11. Plastic tube
12. Blow connection
13. Floor nozzle
14. Dust bag
15. Crevice nozzle
16. Castor pedestals
17. Clasp seat
18. Accessory holder
19. Foam filter
20. 2 big wheels
21. PET cartridge filter
22. Dry filter
23. Cable hook

### UNPACKING

Due to modern mass production techniques, it is unlikely that your electric appliance is faulty or that a part is missing. If you find anything wrong, do not operate the appliance until the parts have been replaced or the fault has been rectified. Failure to do so could result in serious personal injury.

Carefully unpack the contents of the box.

1. Hold the two clamps (6) fastening the upper section (3) in its position and fold them upwards (Fig. 1).
2. Loosen the clamps, remove the upper section (Fig. 2) and take out the contents from the tank.

Please check the parts using the list shown above to make sure they are complete and that there has been no damage in transport.

### ASSEMBLY

- Hold the two clamps fastening the upper section in its position and fold them upwards (Fig. 1).
- Loosen the clamps and lift the upper section outwards (Fig. 2).
- Turn the tank upside down on a stable leveled clean surface.
- Fasten the pedestals (16) of the castors (9) to the tank with screws. (Fig. 3)
- Insert the castors (9) into their pedestals (16) by pressing. (Fig. 4)
- Fasten the assembled to their pedestals big rear wheels (20) to the tank with screws. The wheels are marked (with L and R) for mounting to the left (L) and to the right (R).
- Place the tank back in normal position.
- Insert a filter appropriate for the work to be done.
- Place the upper section back on the tank.
- Align the upper section with the clamps.
- Attach the clamps to the upper section and press

them downwards until an audible "click" is heard.

- Insert the larger end of the hose (10) into the tank front inlet (8) (Fig. 5). The hose connector tooth shall align with the groove in the tank front inlet. Rotate the hose connector in the direction marked with an arrow.
- Select an appropriate nozzle and/or hose and attach them to the hose (10) (Fig. 6).
- After you have completed vacuuming and cleaning the appliance, store the accessories in the corresponding holders (18) (Fig. 7).

## Operation instructions

These electric appliances are supplied from single-phase alternating current mains only. The vacuum cleaners must be connected to grounded sockets. These electric appliances are radio suppressed in compliance with EMC Directive.

### PRIOR TO INITIAL OPERATION

- Make sure power supply voltage corresponds to the value indicated on the name plate with technical data of the appliance.
- If the supply cord is damaged it must be replaced with a special cord or assembly available from the manufacturer or its service agent to avoid a safety hazard.
- It is absolutely necessary for you to read, understand, and observe the section entitled "Safety instructions for vacuum cleaners".

### DRY VACUUM CLEANING



**WARNING:** Never vacuum up hazardous materials.



**WARNING:** Wet cleaning with mounted filter elements for dry cleaning is absolutely forbidden.

The following filter elements are used for dry cleaning:

- a) The dry filter (22) and the dust bag (14) can be used separately or together. When they are used together the filtering effectiveness is increased.
- b) The cartridge filter (21) and the dust bag (14) can be used separately or together. When they are used separately the cartridge filter efficiency is much higher than the dust bag efficiency.

Filter efficiency:

- Cartridge filter - high
- Dry filter - medium
- Dust bag - low

- Make sure that the appliance is not plugged into the power supply.
- Ensure that the tank (7) is clean and dry.

#### Dry filter

Place the dry filter (22) onto the filter basket (4). (Fig. 8)

#### Cartridge filter

Place the cartridge filter onto the filter basket (4) (Fig. 9)

and screw the locking cap to close the filter basket. After prolonged use the cartridge filter must be cleaned by tapping and brushing it.

When vacuuming concrete or similar materials generating fine dust, the cartridge filter must be brushed and dusted off more often. This is an important prerequisite for the reliable operation and long life of your vacuum cleaner. If you notice that the suction force decreases or in case you ascertain that the cartridge filter is damaged, you must replace it immediately with a new one.

### Dust bag

- Slide the dust bag flange over the hose connection (Fig.10) on the inner side of the tank. Press it until it snaps firmly into place (Fig.11) taking care not to damage the dust bag.

The use of improper dust bag voids the guarantee.

Check the dust bag (14) regularly and change it when it is 2/3 full. The bag is designed in such way that only air, and no dust, can pass through the paper. Therefore a used dust bag may not be reused.

Do not use the dust bag for vacuuming up objects with sharp edges or wet objects.

- Place the upper section on the tank once again and close the clamps.
- Place the large end of the hose on the front air intake stub on the tank.
- Select the desired nozzle (13,15) or tube (11) and connect it to the hose (10).
- Make sure that the ON/OFF switch (2) of the appliance is in "OFF" position „O" before you insert the power plug into the socket.
- Insert the power plug into the socket.
- Switch the motor on (ON/OFF switch in position "I").
- When you have finished vacuuming, switch the motor off by putting the ON/OFF switch (2) in „OFF" position „O".
- Unplug the vacuum cleaner.

## WET VACUUM CLEANING



**WARNING:** Never vacuum up hazardous materials.

- Make sure that the appliance is unplugged.
- Check to make sure that the tank (7) is free of dust and dirt.
- The appliance is shipped from the factory with a cartridge filter. Remove the cartridge filter (21), which is not appropriate for wet vacuum cleaning.
- Remove the dust bag (14) and the dry filter (22) in case you have used them prior to wet vacuum cleaning.
- Place the foam filter (19) (Fig.12) on the filter basket.
- Place the upper section on the tank and close the clamps.
- Place the large end of the hose on the front air intake stub on the tank.
- Select the necessary nozzle (13,15) or tube (11) and place it on the hose (10).
- Make sure that the ON/OFF switch (2) of the appliance is in "OFF" position "O" before you plug the appliance.
- Insert the plug into the socket.

- Switch the motor on by placing the ON/OFF switch (3) in position "I".
- When you have finished wet vacuuming, switch the motor off by putting the ON/OFF switch (2) into the „OFF" position „O".
- Unplug the vacuum cleaner.
- After use, empty and dry the tank (7).

**Tip:** If you want to vacuum up a large quantity of liquid from a sink or a tank, please don't put the entire suction nozzle in the liquid; rather leave a little space so that some air can also be drawn in along with the liquid.

The appliance is equipped with a float switch (5) (Fig.13) that will stop the vacuuming when the tank is full. You will notice that suction has stopped by the motor now running faster. At this event, switch the appliance off and unplug it.

Be aware that the full tank can be very heavy. After wet vacuuming, switch off the appliance and unplug it. Empty the container and clean/dry it inside and outside prior to storage.

**IMPORTANT!** After wet vacuuming, please proceed as described in the section entitled „Dry vacuum cleaning" before you attempt to dry vacuum again.

## BLOWING FUNCTION

Remove the upper hook (23) for winding up the cable. Insert the larger end of the hose into the orifice in the upper rear part of the vacuum cleaner. The hose connector tooth shall align with the groove in the blow connector. (Fig.14)



**WARNING:** Never turn the air flow towards people, animals or objects as the outcoming air may be hot.

## ACCESSORIES

MODEL	VC 1221
Hose set	•
2-part plastic tube	•
Dust bag	•
Dry filter	•
Foam filter	•
Cellulose pleated filter	•
Floor nozzle	•
Crevice nozzle	•
Wheels and castors	2 wheels + 2 castors
Castor pedestals	2



**WARNING:** Use only original SPARKY accessories. The use of non original spare parts or accessories presents potential danger and voids the guarantee.



## Maintenance

- Make sure that the appliance is not plugged into the power mains.
- Take out the suction hose (10) from the tank.
- Release the clamps (Fig.1) and remove the upper section from the tank (Fig.2).
- Clean up any dirt or debris from the tank and hose.
- Clean the foam filter (19) by washing it with a mild detergent.
- Check the hose and connections and inspect the power cord for any damage.
- When the foam filter (19) is removed, check the float (5). To do this, take the upper section by the handle and turn it carefully so that the filter basket is facing upwards. The float should move freely up and down (Fig.13).



**WARNING:** Never use alcohol, petrol or other cleaning agent. Never use caustic agents to clean plastic parts.



**WARNING:** Water must never come into contact with the electric appliance.

**IMPORTANT!** To assure product safety and reliability, repairs, maintenance and adjustment should be performed by authorised SPARKY service centres or other qualified service organisations, always using genuine replacement parts.

## TROUBLESHOOTING

Problem	Probable cause	Corrective action
The appliance doesn't work.	No power.	Check the power supply.
	Functional fault in the power cord, switch, or motor.	Test, repair or replace the damaged part.
	Tank is full of liquid.	Empty the tank.
Dust is escaping from the motor cover.	The dust bag/pleated filter is missing or damaged.	Insert or replace the dust bag/pleated filter.
Low suction power and high motor speed / vibrations	The pleated filter is clogged.	Replace the pleated filter.
	The nozzle, hose or tank is clogged.	Inspect the nozzle, hose or tank.

## Warranty

The guarantee period for SPARKY electric appliances is determined in the guarantee card.

Faults due to normal wear, overloading or improper handling will be excluded from the guarantee.

Faults due to defective materials implemented as well as defects in workmanship will be corrected free of charge through replacement or repair.

The complaints for defective SPARKY electric appliances will be recognized if the appliance is sent back to the dealer or is presented to the authorised warranty service centre undismantled, in its initial condition.

## Notes

Carefully read the entire original instructions before using this product.

The manufacturer reserves the right to change specifications without notice.

Specifications may differ from country to country.

# Inhalt

Einleitung.....	8
Technische Daten.....	10
Sicherheitshinweise bei der Arbeit mit Staubsaugern .....	10
Übersicht der Gerätekomponenten .....	12
Arbeitshinweise .....	12
Wartung.....	14
Garantie.....	15

## Einleitung

---

Das von Ihnen neuerworbene Elektrogerät SPARKY wird Ihre Erwartungen übersteigen. Es ist gemäß den hohen Qualitätsnormen von SPARKY hergestellt, entsprechend den hohen Anforderungen des Benutzers. Leicht in der Bedienung und gefahrlos beim Betrieb, wird dieses Elektrogerät Ihnen bei richtiger Anwendung zuverlässig lange Jahre dienen.



### WARNUNG!

Lesen Sie aufmerksam die ganze Betriebsanleitung vor dem Betrieb Ihres neuerworbenen SPARKY Elektrogeräts. Beachten Sie speziell die Texte, die mit dem Wort **"Warnung"** beginnen. Ihr SPARKY Elektrogerät besitzt viele Eigenschaften, die Ihre Arbeit erleichtern werden. Bei der Entwicklung dieses Elektrogeräts wurde die größte Aufmerksamkeit der Sicherheit, den Betriebseigenschaften und der Zuverlässigkeit gewidmet, welche für eine einfache Instandhaltung und im Betrieb machen.



### Entsorgen Sie Elektrogeräte nicht zusammen mit dem Hausmüll!

Die Abfälle von elektrischen Erzeugnissen dürfen nicht zusammen mit normalen Abfällen gesammelt werden. Bitte führen Sie alte oder defekte Elektrogeräte einer geeigneten Verwertungsstelle zu.



### UMWELTSCHUTZ

Mit Rücksicht auf den Umweltschutz sollten die Verpackung, das Zubehör und das Elektrogerät später dem Recycling-Kreislauf zugeführt werden. Zum Erleichtern der Wiederverwertung sind die Elemente aus Kunststoffen, entsprechend gekennzeichnet.

## BESCHREIBUNG DER SYMBOLE

Auf dem Typenschild des Elektrogeräts sind spezielle Symbole angegeben. Sie enthalten wichtige Informationen über das Erzeugnis oder geben wichtige Hinweise für seine Benutzung.



Doppelte Isolierung für zusätzliche Sicherheit

---



Nass-Sauger

---



Entspricht den einschlägigen Europäischen Richtlinien

---



Entspricht den Anforderungen der Zollunion-Regelungen

---



Entspricht den Anforderungen der ukrainischen normativen Dokumente

---



Lesen Sie die Bedienungsanleitung

---

YYYY-Www

Zeitabschnitt der Produktion, wobei die variablen Symbole sind:  
YYYY - Kalenderjahr der Produktion, ww - laufende Kalenderwoche

---

VC

NASS / TROCKENSAUGER

---

# Technische Daten

<b>MODELL:</b>	<b>VC 1221</b>
▪ Leistungsaufnahme	1250 W
▪ Maximale Ansaugaufnahme	1500 W
▪ Volumen des Behälters	20 l
▪ Material des Behälters	Kunststoff
▪ Staubbeutelinhalt	20 l
▪ Maximale Saugkraft	18 kPa
▪ Maximaler Saugstrom	55 l/s
▪ Saugstrom nach EN 60312	27 l/s
▪ Flüssigkeitsansaugen	ja
▪ Luftstromsregelung	nein
▪ Schlauchdurchmesser	Ø36 mm
▪ Schlauchlänge	1,5 m
▪ Netzkabellänge	4 m
▪ Radius der Arbeitszone	6 m
▪ Gewicht (EPTA Prozedur 01/2014)	4,5 kg
▪ Sicherheitsgrad	IP X4
▪ Schutzklasse	□ / II
▪ <b>Geräuschemissionswerte</b> (Messwerte ermittelt entsprechend EN 60704-1):	
Der A-bewertete Schalldruckpegel $L_{pA}$	75,6 dB(A)
Der A-bewertete Schalleistungspegel $L_{WA}$	88,7 dB(A)



Gehörschutz tragen!

## Sicherheitshinweise bei der Arbeit mit Staubsaugern

- Dieses Gerät ist nicht vorgesehen für die Benutzung durch Kinder und Personen mit eingeschränkten physischen, sensorischen oder geistigen Fähigkeiten oder mangelnder Erfahrung und Wissen.
- Dieses Gerät darf von Kindern über 8 Jahre alt, von Personen mit begrenzten körperlichen, Sinnes- oder Geistesfähigkeiten, oder von Personen ohne Erfahrung und Kenntnisse benutzt werden, jedoch nur wenn sie unter Aufsicht arbeiten oder wenn sie über die sichere Arbeit mit dem Gerät angewiesen worden sind und die möglichen Gefahren begreifen. Kinder dürfen nicht mit dem Gerät spielen. Die Reinigung und die Instandhaltung des Geräts dürfen nicht von Kindern ohne Aufsicht erfüllt werden.




**WARNUNG:** Dieses Gerät entspricht den vorgeschriebenen Sicherheitsbestimmungen für Elektrogeräte. Damit das Risiko durch Schäden vermieden wird, sollte der Benutzer die Bedienungsanleitung durchlesen. Es sollten alle beiliegenden Anleitungen gelesen werden. Die Nichteinhaltung der aufgezählten Anweisungen kann zu Personenschäden und/oder Sachschäden führen und die Garantie wird dadurch unwirksam.

**Bewahren Sie diese Anleitungen zum späteren Gebrauch auf!**



**WARNUNG:** Überprüfen Sie ob die Spannung des Leitungsnetzes der Betriebsspannung angegeben auf dem Typenschild mit den technischen Angaben des Elektrogeräts entspricht.

- Im Falle, dass Sie Stromversorgung nicht kennen, schalten Sie das Gerät nicht ein.
- Eine höhere Spannung kann zu Verletzungen oder Störungen im Gerät führen.
- Bei zu niedrigerer Spannung wird der Motor gestört.
- Das Elektrogerät ist bestimmt zum Absaugen von nicht gesundheitsgefährdenden und brennbaren Stoffen.

- Dieses Elektrogerät ist ausschließlich für den Einsatz im Haushalt und im Privatbereich ausgelegt.
  - Verwenden Sie das Gerät nicht im Freien (sofern es nicht speziell für den Einsatz im Freien konzipiert ist).
  - Setzen Sie das Gerät keiner Hitzeeinwirkung, direkter Sonnenbestrahlung oder sehr hoher Feuchtigkeit (z.B. Regen) aus.
  - Tauchen Sie das Gerät niemals in Flüssigkeiten und achten Sie auf die mögliche Beschädigungsgefahr durch scharfe Kanten.
  - Die Bedienung des Geräts mit nassen oder feuchten Händen ist unzulässig. Falls das Gerät im Betrieb nass oder feucht wird, ziehen Sie sofort den Netzstecker. Stellen Sie das Elektrogerät nicht in Wasser.
  - Wenn der Betrieb des Saugers in feuchter Umgebung nicht vermeidbar ist, verwenden Sie einen Fehlerstromschutzschalter. Der Einsatz eines Fehlerstromschutzschalters vermindert das Risiko eines elektrischen Schlages.
  - Verwenden Sie das Elektrogerät nur für die Zwecke, für die es bestimmt ist. Andere Verwendungsarten, die der oben beschriebenen nicht entsprechen, werden als nicht bestimmungsgemäße Verwendung betrachtet. Die Haftung für alle Störungen oder Unfälle, die infolge unsachgemäßen Gebrauchs entstanden sind, trägt der Benutzer und nicht der Hersteller.
  - Halten Sie die Anschlüsse nicht vor Ihr Gesicht (besonders die Augen, Ohren usw.). Richten Sie die Düse niemals auf Personen oder Tiere.
  - Bevor Sie das Elektrogerät in Betrieb nehmen, stellen Sie sicher, dass der richtige Staubbeutel fest in seiner Halterung angebracht ist. Ein falscher oder falsch angebrachter Staubbeutel kann Störungen am Gerät verursachen und die Garantie außer Kraft setzen.
  - Keine Asche, heiße Kohle o.ä., größere Glassplitter und spitze Gegenstände aufsaugen.
  - Saugen Sie keinen Tonerstaub auf, der bei Druckern und Kopiergeräten verwendet wird, da er elektrisch leitfähig ist. Außerdem ist es möglich, dass er vom Filtersystem des Nass/Trockensaugers nicht völlig ausgefiltert wird und so über das Gebläse wieder in die Raumluft gelangen kann.
  - Keine entflammbaren oder giftigen Flüssigkeiten, wie Benzin, Öl, Säuren oder sonstige flüchtige Substanzen aufsaugen.
  - Keine Flüssigkeiten die über 60°C erwärmt sind und keinen giftigen und brennbaren Staub aufsaugen.
  - Niemals Asbest oder Asbeststaub aufsaugen.
  - Das Gerät während des Betriebes niemals auf die Seite legen. Achten Sie besonders bei Treppen auf waagerechte Aufstellung und ausreichende Standsicherheit des Geräts.
-  **WARNUNG:** Nach Gebrauch, vor dem Reinigen, Filter- oder Zubehörwechsel stets den Netzstecker ziehen. Ziehen niemals am Kabel, sondern nur am Stecker selbst. Nehmen Sie die für die Nutzung angebrachten Sonderzubehörteile wieder vom Gerät ab, wenn Sie das Gerät später lagern.
- Das Gerät nicht direkt neben Heizkörpern aufbewahren.
  - Lassen Sie den Staubsauger nicht unüberwacht eingeschaltet. Falls Sie den Arbeitsbereich verlassen müssen, schalten Sie den Staubsauger aus oder ziehen Sie den Netzstecker aus der Steckdose (dazu nicht am Kabel, sondern am Stecker ziehen).
  - Verwenden Sie das Elektrogerät nie, wenn Sie unter dem Einfluss von Medikamenten, Alkohol oder Drogen stehen, sich in medizinischer Behandlung befinden, oder wenn Sie müde sind.
  - Achten Sie darauf, dass das Kabel keine Stolpergefahr darstellt.
  - Überprüfen Sie das Elektrogerät und das Netzkabel regelmäßig auf eventuelle Beschädigungen. Verwenden Sie beschädigte Elektrogeräte nicht.
  - Falls das Netzkabel beschädigt ist, lassen Sie den Austausch des Kabels von einem autorisierten SPARKY Service vornehmen.
  - Versuchen Sie nicht, das Gerät selbst zu reparieren. Die Reparaturen dieser Elektrogeräte können nur von qualifizierten Technikern in den autorisierten Servicewerkstätten von SPARKY gemacht werden bei der Verwendung von Original - Ersatzteilen. Durch unsachgemäße Reparatur können erhebliche Gefahren für den Benutzer entstehen.
  - Verwenden Sie ausschließlich SPARKY Original-Zubehörteile. Die Verwendung von nicht zugelassenen Teilen oder Zubehör kann Gefahquellen darstellen und die Garantie außer Kraft setzen.
  - Kontrollieren Sie regelmäßig den Schwimmkörper.
  - Wenn Sie an dem Gerät einen Flüssigkeitsaustritt bemerken das Gerät sofort abschalten und Netzstecker ziehen.
  - Stellen Sie das Gerät niemals in Wasser. Achten Sie darauf, dass kein Wasser über das Gerät geschüttet wird.
  - Beachten Sie bei der Entsorgung des Schmutzwassers die gesetzlichen Vorschriften.
  - Lagern Sie das Elektrogerät nur an einem sicheren und trockenen Ort außerhalb der Reichweite von Kindern.
  - Halten Sie den Staubsauger immer sauber. Verwenden Sie zum Säubern kein Lösungsmittel oder lösungsmittelhaltigen Reiniger.
- Beachten Sie insbesondere auch die nachfolgenden besonderen Sicherheitshinweise.

### **BESONDERE SICHERHEITSHINWEISE**

- Saugen Sie keine heiße Asche sowie spitze oder scharfkantige Gegenstände auf.
- Verwenden Sie das Elektrogerät nicht in feuchten Räumen.
- Überzeugen Sie sich, daß Haare, Kleidung oder Teile davon während der Arbeit nicht aufgesaugt werden können.
- Halten Sie den Staubsauger fern von Hitzequellen wie Heizstrahlern, Öfen usw.
- Damit Sie dieses Elektrogerät sachgemäß benutzen können, lesen Sie die Sicherheitsanforderungen, sowie die Warn- und Sicherheitshinweise. Alle Benutzer sollten diese Bedienungsanleitung, sowie die potenziellen Risiken bei der Benutzung des Geräts kennen.
- Kinder, Körperbehinderte und sehr alte Menschen erkennen oft nicht die Gefahren, die beim Umgang mit Elektrogeräten entstehen können. Oben ge-

nannte Personen niemals mit diesem Elektrogerät arbeiten lassen. Unbedingt Sicherheitsmaßnahmen vornehmen. Das Gleiche gilt auch für die Einhaltung der Grundregeln für fachtechnische Gesundheit und Sicherheit.

- Das Elektrogerät ist außerhalb der Reichweite von Kindern aufzubewahren.
- Der Hersteller kann nicht für Schäden verantwortlich gemacht werden, die durch vom Benutzer gemachten Änderungen, nicht bestimmungsgemäße Verwendung oder falsche Bedienung verursacht werden.
- Das Elektrogerät darf in feuchter Umgebung nicht verwendet werden (wenn es geregnet hat) oder in der Nähe von leicht entzündlichen Flüssigkeiten oder Gasen. Der Arbeitsplatz muss gut beleuchtet werden.

## Übersicht der Gerätekomponenten

1. Handgriff
2. Schalter
3. Oberdeckel
4. Filterkorb
5. Schwimmkörper
6. Verschlussklammern
7. Schmutzbehälter
8. Schlauchbefestigung
9. 2 Rollrädchen
10. Saugschlauch Satz
11. Kunststoffrohr
12. Adapter zum Luftverdichten
13. Düse für Bodenbeläge
14. Staubbeutel
15. Fugendüse
16. Grundlagen der Laufräder
17. Nest der Verschlussklammern
18. Montagezubehörstelle
19. Schaumstofffilter
20. 2 Fußrolle
21. Faltenfilter aus Polyester
22. Trockensaugfilter
23. Kabelhaken zum Aufwickeln des Elektrokabels

## AUSPACKEN

Überprüfen Sie unmittelbar nach dem Auspacken ob sämtliche Bestandteile und das beschriebene Zubehör mitgeliefert wurden. Sollte dies nicht der Fall sein, wenden Sie sich bitte umgehend an Ihren Fachhändler bei dem der Sauger gekauft wurde. Dies trifft auch dann zu, wenn Sie den Eindruck haben mit dem Gerät ist etwas nicht in Ordnung. Eine Nichtbeachtung dieser Empfehlung kann zu schweren Unfällen führen.

Packen Sie den Inhalt des Kartons sorgfältig aus.

1. Greifen Sie die beiden Klammern (6), die den Oberdeckel halten (3) und klappen diese nach oben (*Bild 1*).
2. Lösen Sie die Klammern, entfernen den Oberdeckel (*Bild 2*) und entnehmen den Inhalt aus dem Behälter.

Überprüfen Sie bitte die Teile anhand der oben gezeigten Liste auf Vollständigkeit und auf Transportschäden.

## MONTAGE

- Greifen Sie die beiden Klammern, die den Oberdeckel halten und klappen diese nach oben (*Bild 1*).
- Lösen Sie die Klammern und heben Sie den Oberdeckel nach oben und nach außen ab (*Bild 2*).
- Drehen Sie den Behälter mit der Öffnung nach unten auf eine stabile, glatte und saubere Oberfläche.
- Befestigen Sie die Halterung (16) der Lenkräder (9) am Behälter mit Hilfe der beigelegten Schrauben. (*Bild 3*)
- Drücken Sie die Lenkräder (9) in ihre Halterungen. (*Bild 4*)
- Große Fußrolle (20) mit Halterung am Behälter mit den beiliegenden Schrauben befestigen. Die Räder sind entweder mit L (links) oder R (rechts) gekennzeichnet.
- Stellen Sie den Behälter in die normale Position.
- Setzen Sie einen passenden Filter ein.
- Setzen Sie das Oberteil wieder auf den Behälter.
- Richten Sie das Oberteil mit den Klammern aus.
- Klammern am Deckel befestigen und bis zum Einrasten runterdrücken.
- Das große Schlauchende (10) an der vorderen Ansaugöffnung (8) des Behälters anschließen (*Bild 5*). Sperre der Schlauchtülle in die Rinne der Ansaugöffnung einrasten lassen. Schlauchtülle in die bezeichnete Richtung drehen.
- Wählen Sie eine passende Düse und/oder ein Rohr und montieren Sie es auf den Schlauch (10). (*Bild 6*)
- Stellen Sie das Zubehör und seine Befestigung nach getaner Arbeit und nach Reinigung des Staubsaugers wieder an die entsprechenden Halterungen am Staubsauger (*Bild 7*).

## Arbeitshinweise

Dieses Elektrogerät arbeitet mit einphasiger Wechselspannung. Das Elektrogerät kann in Steckdosen mit Sicherungskammer eingeschaltet werden. Die Funkstörungen entsprechen der EMV-Richtlinie zur Elektromagnetischen Verträglichkeit.

## BEVOR SIE DIE ARBEIT BEGINNEN

- Prüfen Sie, ob die Netzspannung den Angaben auf dem Schild mit den technischen Daten des Geräts entspricht.
- Stellen Sie sicher, dass das Netzkabel und Stecker in Ordnung sind. Falls das Kabel beschädigt ist, lassen Sie den Austausch durch den Hersteller oder durch von ihm autorisierte Fachkräfte vornehmen, um der Gefahr eines Stromschlages vorzubeugen.
- Lesen, verstehen und berücksichtigen Sie die Hinweise in den „Sicherheitsanweisungen bei der Arbeit mit Staubsauger“.

## TROCKENSAUGEN



**WARNUNG:** Saugen Sie nie für die Gesundheit gefährliche Substanzen an.



**WARNUNG:** Das Benutzen des Filterstaub-sacks oder des Schmutzbeutels bei der Naßreinigung ist unzulässig.

Beim Trockensaugen werden die folgende Filterelemente gebraucht:

- Den Trockensaugfilter (22) und den Staubbeutel (14) kann man zusammen oder getrennt verwenden. Wenn sie zusammen verwendet werden, erhöht sich die Filterleistung.
- Den Faltenfilter (21) und den Staubbeutel (14) kann man zusammen oder getrennt verwenden. Wenn sie getrennt verwendet werden, ist die Leistungsfähigkeit der Filtration des Faltenfilters höher als die der Staubbeutel.

Filtrationsleistung:  
Faltenfilter - hohe  
Trockensaugfilter - mittlere  
Staubbeutel - niedrige

- Stellen Sie sicher, dass das Gerät nicht mit dem Stromnetz verbunden ist.
- Prüfen Sie ob der Behälter (7) staub- und schmutzfrei ist.

### Trockensaugfilter

Ziehen Sie den Trockensaugfilter (22) über den Filterkorb (4). (*Bild 8*)

### Faltenfilter

Setzen Sie den Faltenfilter über den Filterkorb (4) (*Bild 9*). Schließen Sie den Filterkorb (4) und drehen Sie den Verschluss. Nach längerem Gebrauch sollte der Filter durch Antippen oder Bürsten gereinigt werden.

Nach Reinigung von Feinstaub absondernde Materialien wie Betonoberflächen den Faltenfilter öfter bürsten bzw. ausklopfen lassen. Dies ist eine wichtige Voraussetzung zur zuverlässigen Nutzung und lange Betriebsdauer des Staubsaugers. Bei Abnahme der Saugleistung oder Beschädigung, den Faltenfilter unmittelbar durch einen neuen ersetzen.

### Staubbeutel

- Staubbeutel an der Innenseite der Schlauchanschlussöffnung des Behälters befestigen (*Bild 10*). Bis zum Einrasten andrücken (*Bild 11*). Beachten Sie dabei, dass der Staubbeutel nicht beschädigt wird.

Die Anwendung eines nicht passenden Staubbeutels ist ein Grund zur Verweigerung von Garantieansprüchen.

Prüfen Sie regelmäßig den Staubbeutel (14) und wechseln Sie ihn aus, wenn er zu 2/3 voll ist. Der Beutel ist so hergestellt, dass nur Luft und kein Staub durch das Papier dringen kann. Deswegen darf auch ein gebrauchter Staubbeutel nicht wieder verwendet werden.

Verwenden Sie den Staubbeutel nicht für das Saugen von scharfkantigen oder nassen Gegenständen.

- Setzen Sie das Oberteil wieder auf den Behälter und

schließen Sie die Klammern

- Stecken Sie das große Ende des Schlauches auf den vorderen Ansaugstutzen am Behälter.
- Wählen Sie die gewünschte Düse (13,15) oder Rohr (11) aus und verbinden Sie mit dem Schlauch (10).
- Stellen Sie sicher, dass der ON/OFF Schalter am Gerät (2) in der Position "O" steht, bevor Sie den Netzstecker in die Steckdose stecken.
- Stecken Sie den Netzstecker in die Steckdose.
- Schalten Sie den Motor ein (Schalter befindet sich in Position "I").
- Nachdem Sie die Reinigung beendet haben, schließen Sie den Elektromotor aus, wobei Sie den Schalter (2) in ausgeschaltete Position "O" stellen.
- Ziehen Sie den Netzstecker aus der Steckdose.

## NASSSAUGEN



**WARNUNG:** Saugen Sie nie für die Gesundheit gefährliche Substanzen an.

- Stellen Sie sicher, dass das Gerät nicht mit dem Stromnetz verbunden ist.
- Prüfen Sie, ob der Behälter (7) staub- und schmutzfrei ist.
- Entfernen Sie den Faltenfilter (21), der für Nasssaugen nicht geeignet ist.
- Entfernen Sie den Staubbeutel (14) und den Trockensaugfilter (22) falls Sie vorher diese benutzt haben
- Ziehen Sie den Schaumstofffilter (19) (*Bild 12*) über den Filterkorb.
- Setzen Sie das Oberteil wieder auf den Behälter und schließen Sie die Klammern
- Stecken Sie das große Ende des Schlauches auf den vorderen Ansaugstutzen am Behälter.
- Wählen Sie die gewünschte Düse (13,15) oder Rohr (11) aus und montieren Sie den Schlauch (10).
- Stellen Sie sicher, dass der ON/OFF Schalter am Gerät (2) in der Position "O" steht, bevor Sie den Netzstecker in die Steckdose stecken.
- Stecken Sie den Netzstecker in die Steckdose.
- Um den Motor einzuschalten, stellen Sie den ON/OFF Schalter (2) in die Position "I".
- Wenn Sie mit dem Nasssaugen fertig sind, schalten Sie den Staubsauger aus, indem Sie den ON/OFF Schalter (2) in Position "O" stellen.
- Ziehen Sie den Netzstecker aus der Steckdose.
- Nach dem Einsatz leeren und trocknen Sie den Behälter (7).

**TIP:** Wenn Sie große Mengen Flüssigkeit aus einer Spüle oder einem Tank absaugen wollen, stecken Sie bitte nicht die ganze Ansaugdüse in die Flüssigkeit, sondern lassen Sie ein wenig Platz, so dass zusammen mit der Flüssigkeit auch Luft angesaugt werden kann.

Das Gerät ist mit einem Schwimmerschalter (5) (*Bild 13*), ausgestattet, der das Ansaugen abbricht, wenn der Behälter voll ist. Sie bemerken das Abschalten des Saugers dadurch, dass der Motor schneller dreht. In diesem Fall schalten Sie das Gerät ab und ziehen den Netzstecker. Seien Sie sich bewusst, dass ein voller Behälter zu schwer sein kann.

Nehmen Sie den Verschluss der Ausgießlücke ab (25) und gießen Sie die restliche Flüssigkeit in ein entsprechendes Gefäß oder in die Kanalisation. Setzen Sie den Verschluss der Ausgießlücke wieder auf und setzen Sie die Arbeit fort.

Nach dem Aufsaugen von Flüssigkeiten schalten Sie das Gerät aus, ziehen Sie den Stecker aus der Steckdose. Entleeren Sie den Behälter und reinigen und trocknen Sie ihn ab.

**WICHTIG!** Nach dem Nasssaugen, bevor Sie zum Trockensaugen gehen, folgen Sie den Anforderungen in Abschnitt "Trockensaugen".

## LUFTVERDICHTEN

Kabelhaken entfernen (23). Den breiten Teil des Schlauchs in das Loch an der oberen Rückseite des Staubsaugers anschließen. Sperre der Schlauchtülle in die Rinne der Ansaugöffnung einrasten lassen. (Bild 14)



**WARTUNG:** Richten Sie den Luftstrom niemals auf Personen, Tiere oder Gegenstände, da der Luftstrom kann heiß sein.

## ZUBEHÖR

MODELL	VC 1221
Schlauchset	•
Kunststoffrohr aus 2 Teilen	•
Staubbeutel	•
Trockensaugfilter	•
Schaumstofffilter	•
Faltenfilter	•
Düse für Bodenbeläge	•
Fugendüse	•
Fußrolle	2 kleine + 2 grosse
Grundlagen der Laufräder	2



**WARNUNG:** Verwenden Sie nur SPARKY Original-Zubehörteile. Die Verwendung von nicht zugelassenen Teilen oder fremdem Zubehör kann Gefahrenstellen darstellen und die Garantie außer Kraft setzen.

## Wartung

- Stellen Sie sicher, dass der Stecker nicht mit dem Stromnetz verbunden ist.
- Ziehen Sie den Saugschlauch (10) vom Behälter ab.
- Lösen Sie die Klammern (Bild 1) und nehmen Sie das Oberteil vom Behälter herunter (Bild 2).
- Entfernen Sie den gesamten Schmutz und Rückstände aus dem Behälter und dem Schlauch.
- Reinigen Sie den Schaumstofffilter (19), indem Sie ihn in einer milden Seifenlauge waschen.
- Prüfen Sie den Schlauch und die Anschlüsse und prüfen Sie das Netzkabel auf eventuelle Beschädigungen.
- Nachdem Sie den Schaumstofffilter entfernen (19), überprüfen Sie den Schwimmkörper (5). Deckelhalter angreifen und Deckel umkippen so das die Filterhalterung nach oben steht. Der Schwimmer muss sich frei nach oben und unten bewegen (Bild 13).



**WARNUNG:** Die Benutzung von Spiritus, Benzin oder Lösungsmitteln ist unzulässig. Benutzen Sie niemals Lösungsmittel zur Reinigung der Kunststoffteile.



**WARNUNG:** Das Eintreten vom Wasser ins Gerät ist unzulässig.

**WICHTIG!** Damit eine sichere Benutzung des Elektrogeräts und seine Zuverlässigkeit gesichert wird, sollten alle Reparaturen, Wartung und Einstellungen von den autorisierten SPARKY Reparaturwerkstätten durch Einsetzung von Originalersatzteilen gemacht werden.



## MÖGLICHE STÖRUNGEN UND IHRE BESEITIGUNG

Festgestellte Störung	Mögliche Ursachen	Abhilfe
Elektrogerät funktioniert nicht	Kein Strom.	Stromversorgung prüfen.
	Funktionsstörung im Netzkabel, Schalter oder Motor.	Schadhaftes Teil prüfen, reparieren oder ersetzen.
	Behälter voller Flüssigkeit.	Behälter entleeren.
Staub tritt aus der Motorabdeckung aus	Staubbeutel / Faltenfilter fehlt oder ist beschädigt.	Setzen Sie einen Staubbeutel / Faltenfilter ein oder ersetzen Sie ihn.
Geringere Saugkraft und höhere Motordrehzahl/ Vibrationen	Faltenfilter ist voll.	Ersetzen Sie den Faltenfilter a.
	Düse, Schlauch oder Behälter ist verstopft.	Prüfen Sie die Düse, Schlauch oder Behälter.

## Garantie

Die Garantiefrist der SPARKY - Elektrogeräte ist in der Garantiekarte bestimmt.

Störungen, entstanden infolge eines normalen Verschleißes, einer Überlastung oder eines nicht richtigen Betriebes, sind von den Garantieverpflichtungen ausgeschlossen.

Störungen, entstanden infolge des Einbaus von Materialien mit niedriger Qualität und / oder infolge von Produktionsfehlern, werden ohne zusätzliche Kosten behoben (Austausch oder durch Reparatur.)

Reklamationen eines defekten SPARKY - Elektrogeräts werden anerkannt, wenn das Gerät dem Lieferant zurückgegeben oder einer autorisierten Servicewerkstatt zusammen mit der Garantiekarte in nicht demontiertem Zustand übergeben wird.

## Bemerkungen

Lesen Sie aufmerksam die ganze Betriebsanleitung durch, bevor Sie mit der Arbeit beginnen.

Der Hersteller behält sich das Recht auf Verbesserungen und Änderungen in seinen Erzeugnissen einzuführen und die Spezifikationen ohne vorherige Ankündigung zu verändern ,vor.

Die Spezifikationen für die verschiedenen Länder können unterschiedlich sein.

## Sommaire

Introduction .....	16
Caractéristiques techniques.....	18
Consignes de sécurité lors du travail avec des aspirateurs .....	18
Description de l'appareil électrique.....	20
Consignes de travail.....	21
Maintenance .....	22
Garantie.....	23

## Introduction

---

L'appareil SPARKY que vous venez d'acheter va surpasser vos attentes. Il a été fabriqué en conformité avec les standards supérieurs de qualité de SPARKY, qui répondent aux exigences élevées de l'utilisateur. Facile à opérer et sûr lors de l'exploitation, cet appareil vous servira pendant de longues années, à condition que son usage soit conforme à sa destination.



### ATTENTION!

Lire attentivement la notice complète avant de procéder à l'usage de l'appareil SPARKY. Faire attention aux textes commençant par le mot "**Avertissement**". Votre appareil SPARKY possède de nombreuses qualités qui faciliteront votre travail. Lors de la conception du présent appareil, une attention majeure a été portée à la sécurité, aux qualités d'exploitation et à la fiabilité, celles-ci le rendant facile à maintenir et à opérer..



### Ne pas jeter les appareils électriques ensemble avec les déchets ménagers!

Les déchets en provenance d'appareils électriques ne doivent pas être collectés ensemble avec les déchets ménagers. Prière de recycler sur les endroits qui y sont désignés. Contacter les autorités locales ou un représentant pour une consultation concernant le recyclage.



### PROTECTION DE L'ENVIRONNEMENT

Afin de protéger l'environnement, l'appareil, les accessoires et l'emballage doivent être soumis à un traitement approprié pour une réutilisation des matières premières qui y sont contenues. Pour faciliter le recyclage, les détails fabriqués de matériaux artificiels ont été marqués de la manière correspondante.

## DESCRIPTION DES SYMBOLES

Des symboles spéciaux ont été marqués sur la plaque signalétique de l'appareil. Ceux-ci fournissent des informations importantes concernant l'article ou les consignes pour son usage.



Double isolation pour protection complémentaire

---



Aspirateur Eau

---



Conforme aux directives européennes applicables

---



Conforme aux exigences des règlements de l'Union douanière

---



En conformité avec les exigences des standards ukrainiens

---



Lisez le manuel avant la mise en service de l'outil

---

YYYY-Www

Période de production, où les symboles variables sont les suivants:  
YYYY - année de production, ww – le numéro de la semaine du calendrier

---

VC

ASPIRATEUR EAU / POUSSIÈRE

---

## Caractéristiques techniques

<b>MODELE :</b>	<b>VC 1221</b>
▪ Puissance absorbée	1250 W
▪ Puissance maximum d'aspiration	1500 W
▪ Volume de la cuve	20 l
▪ Matériau de la cuve	plastique
▪ Volume du sac d'évacuation	20 l
▪ Puissance maximum d'aspiration	18 kPa
▪ Débit maximum	55 l/s
▪ Débit conformément à EN 60312	27 l/s
▪ Aspiration de liquides	oui
▪ Régulation du courant d'air	néant
▪ Diamètre du tuyau	Ø36 mm
▪ Longueur du tuyau	1,5 m
▪ Longueur du câble	4 m
▪ Rayon de la zone de travail	6 m
▪ Poids (procédure EPTA 01/2014)	4,5 kg
▪ Type de protection	IP X4
▪ Classe de protection	□ / II
▪ <b>Niveau sonore</b> (les valeurs sont mesurées conformément à EN 60704-1).	
A-niveau pondéré de pression sonore $L_{pA}$	75,6 dB(A)
A-niveau pondéré de puissance sonore $L_{WA}$	88,7 dB(A)



Utiliser des moyens de protection contre le bruit !

## Consignes de sécurité lors du travail avec des aspirateurs

- Cet outil n'est pas prévu pour être utilisé par des enfants ni par des personnes souffrant d'un handicap physique, sensoriel ou mental ou manquant d'expérience ou de connaissances.
- Cet outil peut être utilisé par des enfants ayant atteint l'âge de 8 ans, par des personnes à capacités physiques, sensorielles ou intellectuelles limitées ou des personnes n'ayant pas l'expérience et les connaissances nécessaires, à condition qu'ils travaillent sous surveillance ou qu'ils ont reçu les instructions indispensables pour un travail en toute sécurité et qu'ils sont au courant des risques possibles. Les enfants ne doivent pas jouer avec l'outil. Le nettoyage et la maintenance de l'outil ne doivent pas être effectués par des enfants sans surveillance.



**AVERTISSEMENT:** Cet appareil électrique répond aux ordonnances obligatoires de sécurité des articles électriques. Afin d'éviter le risque de blessure, l'utilisateur doit lire la notice d'utilisation. Lire toutes les consignes. Le manque de respect aux consignes listées ci-dessous peut provoquer un accident et/ou un dommage matériel et va annuler la garantie.

**Conserver ces consignes à portée de la main pour leur usage !**



**AVERTISSEMENT:** Vérifier si la tension du secteur correspond à celle indiquée sur la plaque signalétique de l'aspirateur.

- En cas de doute concernant la tension, ne pas brancher l'aspirateur.
- Une tension d'alimentation qui est supérieure à la nominale peut provoquer des blessures graves à l'utilisateur et causer des dommages à l'appareil électrique.
- Si la tension est plus basse que la nominale, le moteur électrique sera endommagé.
- Cet aspirateur est destiné à aspirer des matériaux qui ne sont pas nuisibles à la santé ni inflammables.
- L'aspirateur est destiné à être utilisé à domicile et à l'atelier personnel.
- Ne pas utiliser l'aspirateur à l'extérieur (à moins qu'il ne soit spécialement conçu pour le travail à l'extérieur).
- Ne pas soumettre l'aspirateur à l'effet de la chaleur, de la lumière directe du soleil et d'une humidité accrue (par exemple, de la pluie).
- Ne pas tremper l'aspirateur dans des liquides et le protéger du contact avec des bords tranchants, capables de l'endommager.
- Il est interdit d'utiliser l'aspirateur avec des mains mouillées ou humides. Si l'aspirateur vient à être mouillé ou humidifié lors du travail, débrancher immédiatement la fiche de la prise. Il est interdit de plonger l'aspirateur dans de l'eau. Lors du travail avec l'aspirateur dans un milieu humide, utiliser un dispositif de sécurité actionné par un courant résiduel, destiné à couper l'alimentation. L'utilisation d'un dispositif de sécurité diminue le danger d'accident causé par le courant électrique.
- L'aspirateur doit être utilisé uniquement pour les travaux pour lesquels il a été prévu. Toute autre utilisation, différente de celle décrite dans la présente notice, doit être considérée comme abusive. Le producteur décline toute responsabilité en cas de dommage ou de blessure résultant d'une utilisation abusive, cette responsabilité étant alors entièrement portée par l'utilisateur.
- Ne jamais garder les orifices de raccordement de l'appareil électrique en face de votre visage (surtout des yeux, des oreilles, etc.). Ne diriger jamais la buse vers des personnes ou des animaux.
- Avant de mettre l'aspirateur en service, vérifier que le sac d'évacuation approprié est correctement installé et fixé.

- Un sac d'évacuation inapproprié ou incorrectement fixé peut entraîner une panne de l'aspirateur et conduire à l'annulation de la garantie.
- Il est interdit d'aspirer des cendres chaudes et des braises, de même que de grands éclats de verre et des objets tranchants.
- Il est interdit d'aspirer de la poudre de toner pour des imprimantes ou des photocopieuses, car le toner est un matériau conducteur de l'électricité. Il est en outre possible que la poudre de toner ne puisse pas être complètement retenue par le système filtrant de l'aspirateur eau/poussière et qu'elle se répande en l'air en s'échappant par le ventilateur d'échappement de l'air.
- Il est interdit de procéder au nettoyage de liquides inflammables ou toxiques, tels que l'essence, le pétrole, les acides ou d'autres matières volatiles.
- Il est interdit d'aspirer des liquides dont la température est supérieure à 60°C, de même que toutes sortes de poussières toxiques ou inflammables.
- Il est interdit d'aspirer de l'amiante ou de la poussière d'amiante.
- Ne jamais mettre l'aspirateur couché sur le côté. Porter une attention spéciale à la position horizontale et à la stabilité de l'aspirateur en cas de travail sur un escalier.



**AVERTISSEMENT:** Toujours arrêter l'aspirateur et retirer la fiche de la prise après le travail, avant le nettoyage, le remplacement de filtres et d'accessoires, le transport ou l'entreposage. Ne jamais retirer la fiche en tirant sur le câble. Avant l'entreposage, démonter tous les accessoires de l'aspirateur.

- Il n'est pas acceptable d'entreposer l'aspirateur tout près de sources de chaleur.
- Ne jamais laisser un aspirateur en service sans surveillance. S'il est nécessaire de vous éloigner de la zone de travail, arrêter tout d'abord l'aspirateur ou retirer la fiche de la prise (ne pas tirer sur le câble, mais retirer la fiche).
- Ne jamais opérer un aspirateur sous l'influence de médicaments, d'alcool ou de drogue, ou si vous êtes soumis à un traitement médical ou si vous êtes fatigué.
- S'assurer que le câble est disposé de façon à ne pas permettre que l'on bute dessus.
- S'assurer régulièrement du parfait état de l'appareil électrique et de son câble d'alimentation. Ne jamais travailler avec des appareils électriques défectueux.
- Si le câble d'alimentation est défectueux, il doit être remplacé dans un centre autorisé de service d'après-vente de SPARKY.
- Ne pas essayer de réparer l'aspirateur par vous-même. La réparation de ces appareils électriques ne peut être effectuée que par le personnel qualifié des centres autorisés de service d'après-vente de SPARKY, avec l'usage de pièces de rechange d'origine. Une réparation inappropriée peut provoquer des dangers graves pour l'utilisateur.
- N'utiliser que des accessoires d'origine SPARKY. L'utilisation de pièces de rechange ou d'accessoires inadéquats crée un risque potentiel et annule la ga-

rantie.

- Vérifier régulièrement le flotteur.
- En cas de constatation d'échappement de liquide de l'aspirateur, arrêter celui-ci immédiatement et retirer la fiche de la prise.
- Ne pas plonger l'aspirateur dans l'eau. Vérifier si de l'eau n'a pas été répandue sur l'aspirateur.
- Éliminer l'eau aspirée conformément aux dispositions légales.
- N'entreposer l'aspirateur que dans un local fiable et sec, hors de portée des enfants.
- Toujours maintenir l'aspirateur propre. Ne pas utiliser de solvants ni des détergents contenant des solvants.

Prière de d'accorder une attention spéciale aux consignes spéciales de sécurité.

### **CONSIGNES SPECIALES DE SECURITE**

- Il est interdit d'aspirer des cendres chaudes et des braises, de même que des objets possédant des pointes et des bords tranchants.
- Ne pas opérer l'aspirateur dans des espaces humides.
- Lors du travail, s'assurer que les cheveux, les vêtements ou des parties de ceux-ci ne seront pas aspirés.
- Préserver l'aspirateur à l'abri de sources de chaleur (ex. radiateurs, fours, etc.).
- Pour exploiter correctement cet aspirateur, il faut respecter les règles de sécurités, les consignes générales et les consignes de service indiquées dans les présentes. Tout utilisateur doit connaître cette notice de service et être informé quant aux risques potentiels associés au travail avec l'appareil électrique.

Cet appareil électrique n'est pas destiné à être utilisé par des personnes (y compris des enfants) dont les capacités physiques, sensorielles ou intellectuelles sont limitées, dont l'expérience et les connaissances sont insuffisantes, à l'exception des cas dans lesquels ces personnes sont surveillées et guidées par une personne responsable de leur sécurité.

Les enfants doivent être sous la surveillance d'adultes, afin qu'on ait l'assurance qu'ils ne vont pas jouer avec l'appareil électrique.

- Le producteur décline toute responsabilité en cas de modifications apportées à l'appareil électrique ou de dommages provoqués par de telles modifications.
- L'appareil électrique ne doit pas être utilisé à l'extérieur lorsqu'il pleut, dans un milieu humide (après la pluie) ou à proximité de liquides et de gaz facilement inflammables. Le lieu de travail doit être bien éclairé.

## **Description de l'appareil électrique**

1. Poignée
2. Interrupteur
3. Couvercle
4. Support des filtres
5. Flotteur
6. Crochets
7. Cuve
8. Orifice de raccordement du tuyau
9. 2 petites roues à roulettes
10. Tuyau flexible complet
11. Tube en plastique
12. Orifice de refoulement de l'air
13. Buse pour le traitement de sols durs
14. Sac d'évacuation
15. Buse étroite pour fissures et joints
16. Supports des roues à roulettes
17. Logement de crochet
18. Lieu de fixation des accessoires
19. Filtre en mousse plastique
20. 2 grandes roues
21. Filtre gaufré en polyester
22. Filtre pour le nettoyage à sec
23. Crochet pour l'enroulement du câble

### **DEBALLAGE**

Compte tenu des technologies communes de fabrication, il est peu probable que l'appareil électrique que vous venez d'acheter soit défectueux, ou qu'il lui manque une pièce. Si toutefois vous remarquez que quelque chose ne va pas, n'utilisez pas l'appareil électrique avant le remplacement de la pièce défectueuse ou avant l'élimination du dysfonctionnement. Le non-respect de cette recommandation peut entraîner un grave accident.

Déballer attentivement le contenu de la boîte.

1. Prendre les deux crochets (6) qui tiennent le couvercle (3) et faire basculer celui-ci vers le haut (Fig. 1).
2. Libérer les crochets, enlever le couvercle (Fig. 2) et vider le contenu de la cuve.

Vérifiez s.v.p. la présence de toutes les pièces figurant sur la liste ci-dessus pour vous assurer qu'elles y sont, de même que durant le transport elles n'ont pas été endommagées.

### **MONTAGE**

- Prendre les deux crochets qui tiennent le couvercle et faire basculer celui-ci vers le haut (Fig. 1).
- Libérer les crochets et soulever le couvercle en le déplaçant vers l'extérieur (Fig. 2).
- Renverser la cuve, l'orifice vers le bas, sur une surface stable, lisse et propre.
- Fixer à la cuve, à l'aide de vis, les supports (16) des petites roues à roulettes (9) (Fig. 3)
- Fixer les petites roues avant (9) à leurs supports (16) en exerçant une pression. (Fig. 4)
- Fixer à la cuve, à l'aide de vis, les grandes roues arrière (20), montées à leurs supports (20). Sur les roues figurent les marques L et R, indiquant le montage à gauche (L) et à droite (R).

- Remettre la cuve à l'endroit.
- Placer un filtre convenant au travail qui doit être exécuté.
- Remettre le couvercle sur la cuve.
- Aligner le couvercle aux crochets.
- Rabattre les crochets en les pressant vers le bas de façon à entendre un déclic.
- Placer le bout large du tuyau flexible (10) dans l'orifice d'aspiration avant (8) de la cuve (Fig. 5). La dent du raccord du tuyau doit coïncider avec la rainure de l'orifice d'entrée. Faire tourner le raccord dans la direction indiquée par une flèche.
- Choisir la buse et/ou le tube convenable à fixer sur le tuyau (10) (Fig. 6).
- Après la fin du travail et le nettoyage de l'appareil électrique, ranger les accessoires en les plaçant dans leurs dispositifs de fixation respectifs de l'aspirateur (Fig. 7).

## Consignes de travail

Ces appareils électriques sont alimentés par un courant alternatif monophasé et doivent être raccordés à des prises possédant les bornes de protection. Les brouillages radiophoniques sont conformes à la Directive de conformité électromagnétique.

### AVANT LE DÉBUT DU TRAVAIL

- S'assurer que la tension du réseau de distribution coïncide avec la tension de service indiquée sur la plaque signalétique de l'aspirateur.
- S'assurer que le câble électrique et sa fiche sont en parfait état. Si le câble d'alimentation est endommagé, son remplacement doit être effectué par le constructeur ou d'un ouvrier autorisé, afin d'éviter tout danger lors de ce remplacement.
- Lire, comprendre et respecter les consignes citées au paragraphe «Instructions pour un travail en sécurité avec des aspirateurs».

### NETTOYAGE A SEC



**AVERTISSEMENT:** Il est interdit d'aspirer des substances nuisibles à la santé.



**AVERTISSEMENT:** Il est interdit d'aspirer des liquides lorsqu'on a été montés des filtres pour le nettoyage à sec.

Lors du nettoyage à sec sont utilisés les filtres suivants :

a) Le filtre pour le nettoyage à sec (22) et le sac d'évacuation (14) peuvent être utilisés séparément ou ensemble. Lorsqu'on les utilise ensemble, l'efficacité du filtrage augmente.

b) Le filtre gaufré (21) et le sac d'évacuation (14) peuvent être utilisés séparément ou ensemble. Lors de leur utilisation indépendante, l'efficacité de filtrage du filtre gaufré est bien plus élevée que celle du sac d'évacuation.

Efficacité de filtrage:

- Du filtre gaufré - élevée
- Du filtre pour le nettoyage à sec - moyenne
- Du sac d'évacuation - basse

- S'assurer que l'appareil est débranché du secteur.
- S'assurer que la cuve (7) est propre et sèche.

### Filtre pour le nettoyage à sec

Monter le filtre pour le nettoyage à sec (22) sur le support des filtres (4). (Fig. 8)

### Filtre gaufré

Monter le filtre gaufré sur le support des filtres (4) (Fig. 9). Fermer le support des filtres (4) à l'aide du couvercle de fixation en vissant celui-ci. Après une longue utilisation, le filtre doit être nettoyé par tapotement ou brossage.

Lors du nettoyage de béton ou de matériaux semblables, le filtre gaufré doit être brossé et tapoté plus souvent. Ceci est une condition importante pour l'utilisation fiable et durable de votre aspirateur. Si vous remarquez que la force d'aspiration a diminué ou si vous constatez que le filtre gaufré est endommagé, vous devez le remplacer immédiatement par un nouveau.

### Sac d'évacuation

- Placer le sac d'évacuation sur l'orifice de fixation du tuyau (Fig. 10) du côté intérieur de la cuve. Exercer une pression afin d'entendre un déclic (Fig. 11). En effectuant cette opération, veiller à ne pas endommager le sac d'évacuation.

L'utilisation d'un sac d'évacuation inapproprié annule la garantie.

Vérifier régulièrement l'état du sac d'évacuation (14) et le remplacer lorsqu'il s'est rempli à 2/3 de son volume. Le sac est conçu de façon à laisser passer seulement l'air et non la poussière. C'est la raison pour laquelle un sac utilisé ne peut plus être employé une seconde fois.

Ne pas utiliser le sac d'évacuation pour aspirer des objets possédant des bords tranchants ou des objets mouillés.

- Remettre le couvercle sur la cuve et fermer les crochets.
- Placer le bout large du tuyau flexible dans l'orifice d'aspiration avant de la cuve.
- Choisir la buse (13, 15) ou le tube (11) nécessaire et le raccorder au tuyau (10).
- S'assurer que l'interrupteur (2) de l'appareil électrique est en position arrêt «O» avant de brancher la fiche du câble d'alimentation dans la prise.
- Brancher la fiche dans la prise.
- Mettre en marche le moteur électrique (interrupteur en position «I»).
- Après la fin du nettoyage, arrêter le moteur électrique en plaçant l'interrupteur (2) en position arrêt «O».
- Débrancher la fiche de la prise.

### ASPIRATION DE LIQUIDES



**AVERTISSEMENT:** Il est interdit d'aspirer des substances nuisibles à la santé.

- S'assurer que la fiche du câble d'alimentation n'est pas branchée dans la prise.

- S'assurer que la cuve (7) est vide de poussière et d'ordures.
- Enlever le filtre gaufré installé à l'usine (21), celui-ci n'étant pas convenable pour l'aspiration de liquides.
- Enlever le sac d'évacuation (14) et le filtre de nettoyage à sec (22) en cas de travail préalable avec aux.
- Placer le filtre en mousse plastique (19) (Fig. 12) sur le support des filtres.
- Remettre le couvercle sur la cuve et fermer les crochets.
- Placer le bout large du tuyau flexible dans l'orifice d'aspiration avant de la cuve.
- Choisir la buse (13, 15) ou le tube (11) convenable à fixer sur le tuyau (10).
- S'assurer que l'interrupteur (2) de l'appareil électrique est en position «O» avant de brancher la fiche du câble d'alimentation dans la prise.
- Brancher la fiche du câble d'alimentation dans la prise.
- Placer l'interrupteur (2) en position «I» pour mettre le moteur électrique en marche.
- Après la fin de l'aspiration du liquide, arrêter l'aspirateur en plaçant l'interrupteur (2) en position arrêté «O».
- Débrancher la fiche du câble d'alimentation de la prise de courant.
- Après le fin du travail, vidanger et nettoyer la cuve (7).

**Recommandation:** S'il faut aspirer une grande quantité de liquide d'un lavabo ou d'un réservoir, ne pas placer toute la buse dans le liquide, mais laisser libre une partie de celle-ci afin d'assurer une aspiration d'air en même temps que celle du liquide.

L'appareil électrique est doté d'un flotteur (5) (Fig.13), qui arrête l'aspirateur lorsque la cuve est pleine. Vous comprendrez que l'aspiration est arrêtée en constatant que la vitesse de rotation du moteur électrique augmente. Arrêter l'appareil et le débrancher du réseau. Il faut tenir compte du fait que la cuve pleine peut s'avérer très lourde.

Après la fin de l'aspiration du liquide, arrêter l'appareil électrique et débrancher la fiche de la prise. Vider la cuve et la nettoyer et sécher à l'intérieur et l'extérieur avant de l'entreposer.

**IMPORTANT !** Après l'aspiration de liquide, avant de repasser au nettoyage à sec, exécuter les opérations exposées à la section «Nettoyage à sec».

## REFOULEMENT DE L'AIR

Enlever le crochet pour l'enroulement du câble (23). Placer le bout large du tuyau flexible dans l'orifice situé dans la partie supérieure arrière de la cuve. La dent du raccord du tuyau doit coïncider avec la rainure de l'orifice d'entrée. (Fig. 14)



**AVERTISSEMENT:** Ne jamais orienter le jet d'air vers des personnes, des animaux ou des objets, car l'air qui s'échappe peut être très chaud.

## ACCESSOIRES

MODEL	VC 1221
Tuyau flexible complet	•
Tube en plastique se composant de 2 parties	•
Sac d'évacuation	•
Filtre pour le nettoyage à sec	•
Filtre en mousse plastique	•
Filtre gaufré	•
Buse pour le traitement de sols durs	•
Buse pour rainures	•
Roues	2 wheels + 2 castors
Supports des roues à roulettes	2



**AVERTISSEMENT:** N'utiliser que des accessoires d'origine de SPARKY. L'utilisation de pièces de rechange ou d'accessoires inadéquats crée un risque potentiel et annule la garantie.

## Maintenance

- S'assurer que la fiche du câble d'alimentation n'est pas branchée dans la prise.
- Démontez le tuyau flexible (10) de la cuve.
- Libérer les crochets (Fig. 1) et enlever le couvercle de la cuve (Fig. 2).
- Nettoyer soigneusement la cuve et le tuyau des saletés et débris.
- Nettoyer le filtre en mousse plastique (19) en le lavant avec un détergent non-agressif.
- Vérifier l'état du tuyau et des orifices de raccordement et s'assurer que le câble d'alimentation n'est pas endommagé.
- Après avoir enlevé le filtre en mousse plastique (19), vérifier l'état du flotteur (5). Pour le faire, saisir le couvercle par la poignée et le retourner attentivement, de façon à ce que le filtre soit orienté vers le haut. Le flotteur doit pouvoir se déplacer librement de haut en bas (Fig. 13).



**AVERTISSEMENT:** Il est interdit d'utiliser de l'alcool, de l'essence ou d'autres solvants. Ne jamais utiliser de produits agressifs pour nettoyer les pièces en matière plastique.



**AVERTISSEMENT:** Ne pas permettre à de l'eau d'entrer en contact avec l'appareil.

**AVIS IMPORTANT !** Afin d'assurer la sécurité du travail avec l'appareil électrique et le fonctionnement fiable de celui-ci, toutes les opérations de réparation, de maintenance et de réglage doivent être effectuées dans les centres autorisés de service après vente de SPARKY avec l'utilisation exclusive de pièces d'origine.



## DYSFONCTIONNEMENTS POSSIBLES ET LEUR ELIMINATION

Problèmes constatés	Raison probable	Moyens d'élimination du problème
L'appareil ne fonctionne pas	Pas de courant	Vérifier l'alimentation électrique
	Dysfonctionnement dans le cordon d'alimentation, l'interrupteur ou le moteur	Vérifier, réparer ou remplacer la pièce défectueuse.
	Cuve pleine de liquide	Vider la cuve.
De la poussière sort du couvercle du moteur électrique	Absence ou détérioration du sac à poussière / du filtre plissé.	Placez ou remplacez le sac à poussière / le filtre plissé.
Puissance d'aspiration plus faible et régime moteur plus élevé / vibrations	Le filtre plissé est bouché.	Remplacez le filtre plissé.
	Le bec, le tuyau ou le container est bouché.	Vérifier l'état du bec, du tuyau et du container.

## Garantie

Le délai de garantie des appareils SPARKY est réglementé dans une carte de garantie.

Des dommages ayant résulté suite à un vieillissement naturel, à une surcharge ou à une utilisation non-conforme à la destination sont exclues des obligations de garantie.

Les dommages ayant résulté suite à l'utilisation de matériaux défectueux ou d'erreurs de production sont éliminés sans paiement supplémentaire, par remplacement ou réparation.

La réclamation d'un appareil défectueux SPARKY est reconnue, quand celui-ci est remis au fournisseur ou présenté dans un service après-vente de garantie dans l'état non démonté (dans son état initial).

## Remarques

Lisez attentivement toute cette instruction d'utilisation avant de commencer à vous servir de l'outil.

Le fabricant préserve son droit d'introduire des améliorations et des modifications dans ses produits et de modifier les spécifications sans avertissement.

Les spécifications peuvent différer d'un pays à l'autre.

## Indice

Introduzione .....	24
Caratteristiche tecniche .....	26
Avvertenze di sicurezza per l'uso di aspirapolvere/aspiraliquidi .....	26
Elementi dell'apparecchio .....	28
Uso dell'aspirapolvere .....	28
Manutenzione .....	30
Garanzia .....	30

## Introduzione

---

Questo apparecchio SPARKY supererà le Vostre aspettative. La produzione secondo i rigorosi standard di qualità SPARKY assicura un'ottima prestazione. Se utilizzato correttamente, l'apparecchio risulterà maneggevole e sicuro, e garantirà un uso duraturo.



### AVVERTENZA:

Leggere attentamente tutte le istruzioni prima dell'utilizzo di questo apparecchio SPARKY. Prestare particolare attenzione alle parti introdotte da "Attenzione!". Questo apparecchio SPARKY presenta numerose caratteristiche che faciliteranno il Suo lavoro. Sicurezza, qualità ed affidabilità sono punti chiave nello sviluppo di questo apparecchio, e lo rendono semplice nell'uso e nella manutenzione.



### Non smaltire elettrodomestici insieme a rifiuti domestici!

Residui di prodotti elettrici devono essere smaltiti separatamente dai rifiuti domestici e sottoposti ad un riciclaggio ecologico. Si prega di informarsi presso le autorità locali o i rivenditori autorizzati circa il più vicino luogo di raccolta.



### RISPETTO DELL'AMBIENTEN

Macchina, accessori ed imballaggio devono essere destinati ad una riutilizzazione ecologica per il recupero di materie prime.

I componenti in plastica sono contrassegnati per relativo riciclaggio.

## SIMBOLI

L'etichetta che si trova sulla macchina contiene alcuni simboli. Questi forniscono importanti informazioni sull'apparecchio o istruzioni sull'uso dello stesso.



Doppio isolamento per ulteriore sicurezza

---



Aspiraliquidi

---



Conforme alle esigenze dei documenti normativi russi

---



Corrisponde alle esigenze dei regolamenti dell'unione doganale.

---



Conforme alla normativa ucraina

---



Osservare le istruzioni

---

**YYYY-Www** Periodo di produzione, ove i simboli variabili sono:  
**YYYY** – l'anno di produzione, **ww** – la settimana di calendario consecutiva

---

**VC** ASPIRAPOLVERE/ASPIRALIQUIDI

---

## Caratteristiche tecniche

Modello	VC 1221
▪ Potenza	1250 W
▪ Potenza motore max	1500 W
▪ Capienza nominale	20 l
▪ Materiale serbatoio	plastica
▪ Capienza sacco raccogli-polvere	20 l
▪ Depressione max	18 kPa
▪ Flusso d'aria max	55 l/s
▪ Flusso d'aria max secondo EN 60312	27 l/s
▪ Aspiraliquidi	si
▪ Regolazione flusso d'aria	no
▪ Diametro del tubo flessibile	Ø36 mm
▪ Lunghezza tubo	1,5 m
▪ Lunghezza cavo	4 m
▪ Raggio d'azione	6 m
▪ Peso (secondo normativa EPTA 01/2014)	4,5 kg
▪ Grado di protezione	IP X4
▪ Classe di isolamento	□ / II
▪ <b>Valori di emissione acustica</b> (determinati secondo la normativa EN 60704):	
Misurazione A del livello di pressione acustica $L_{PA}$	75,6 dB(A)
Misurazione A del livello di potenza acustica $L_{WA}$	88,7 dB(A)



Indossare cuffie di protezione!

## Avvertenze di sicurezza per l'uso di aspirapolvere/aspiraliquidi

- Questo apparecchio non è previsto per l'utilizzo da parte di bambini, persone con limitate capacità fisiche, sensoriali o mentali o persone con scarsa conoscenza ed esperienza.
- Questo apparecchio può essere usato anche da bambini di età superiore a 8 anni, da persone con ridotte capacità motorie, sensoriali o mentali, e da persone senza esperienza o conoscenza, se lavorano sotto sorveglianza o hanno ricevuto istruzioni sul lavoro sicuro con l'apparecchio e sono coscienti dei possibili pericoli. I bambini non devono giocare con l'apparecchio. La pulizia e la manutenzione dell'apparecchio non vanno eseguite da bambini incustoditi.



**ATTENZIONE!** Questo apparecchio è conforme alle norme di sicurezza per elettrodomestici. Leggere tutte le istruzioni d'uso e le avvertenze di sicurezza. L'inosservanza delle istruzioni seguenti può causare folgorazioni, incendi e/o gravi danni a persone e di conseguenza invalidare i termini di garanzia.

**Conservare questo manuale per usi futuri!**



**AVVERTENZA:** Accertarsi che il voltaggio della presa di corrente corrisponda al valore indicato sull'etichetta del prodotto riportante i dati tecnici.

- Se in dubbio, non inserire la spina nella presa di corrente.
- L'uso di una presa con voltaggio maggiore di quello specifico per l'apparecchio può provocare gravi danni

- a persone o all'apparecchio stesso.
- L'uso di una presa con voltaggio inferiore a quello specifico per l'apparecchio è dannoso per il motore.
- L'apparecchio non è progettato per aspirare sostanze infiammabili o nocive per la salute dell'utente.
- L'apparecchio è progettato per il solo uso in ambiente domestico o privato.
- Non utilizzare l'apparecchio all'aperto se non progettato specificatamente a tale scopo.
- Non lasciare l'apparecchio esposto ad agenti atmosferici (pioggia, gelo, sole, etc.).
- Non immergere l'apparecchio in liquidi e prestare particolare attenzione al pericolo di danni causati da oggetti taglienti.
- Non utilizzare mai l'apparecchio con mani bagnate o umide. Staccare immediatamente la spina se l'apparecchio si bagna o diventa umido durante il funzionamento.
- Se si utilizza l'apparecchio in ambienti umidi, avvalersi di una presa RDC (salvavita), così facendo si riduce il rischio di scosse.
- Non utilizzare la macchina per scopi diversi da quelli indicati in queste istruzioni. L'uso per qualsiasi altra finalità sarà considerato uso improprio. In tal caso sarà l'utente e non l'azienda produttrice ritenuto responsabile di eventuali danni o lesioni.
- Non tenere il tubo davanti al viso (specialmente davanti agli occhi, le orecchie, etc.) e non indirizzarlo contro persone e/o animali.
- Assicurarsi che l'apposito sacco raccogli-polvere sia inserito correttamente nel serbatoio prima di avviare l'apparecchio. L'uso di un sacco diverso o incorrettamente inserito può danneggiare l'apparecchio ed invalidare così i termini di garanzia.
- Non aspirare ceneri, carboni ardenti o simili, così come grandi pezzi di vetro e parti taglienti.
- Non aspirare polvere proveniente da cartucce per stampanti o fotocopiatrici, in quanto è conduttore di corrente elettrica. Inotre potrebbe non venire filtrato completamente attraverso il sistema di filtraggio dell'apparecchio e quindi fuoriuscire dal ventilatore.
- Non aspirare liquidi infiammabili o velenosi come benzina, petrolio, acidi o altre sostanze volatili.
- Non aspirare liquidi a temperatura maggiore di 60°C o altre polveri velenose o infiammabili.
- Non aspirare amianto o polveri derivanti.
- Durante il funzionamento non riporre l'apparecchio orizzontalmente. Nel caso di uso su scale assicurarsi che l'apparecchio si trovi in posizione bilanciata e stabile.



**ATTENZIONE!** Spegner e togliere sempre la spina dalla rete di alimentazione elettrica immediatamente dopo l'uso e prima di eseguire qualsiasi intervento di pulizia, manutenzione. Non tirare il cavo per staccare la spina dalla presa. Staccare tutti gli accessori dall'apparecchio prima di riporlo in magazzino.

- Tenere l'aspirapolvere lontano da fonti di calore.
- Non lasciare mai l'apparecchio in funzione senza sorvegliarlo. Se si abbandona l'area di lavoro spegnere l'apparecchio o togliere la spina dalla presa di cor-

- rente (non utilizzando il cavo, ma afferrando la spina stessa).
- Non utilizzare l'apparecchio se sotto l'effetto di droghe, alcol e medicinali, o in caso di stanchezza.
- Assicurarsi che il cavo non sia di intralcio nonché tenere a distanza bambini e terzi durante il funzionamento.
- Verificare regolarmente le condizioni dell'elettrotensile in uso con l'apparecchio e del suo cavo. Non utilizzare elettrotensili difettosi.
- In caso di cavo di alimentazione danneggiato recarsi immediatamente presso un centro autorizzato SPARKY e richiederne la riparazione.
- Non effettuare riparazioni da sé. Tali operazioni devono avere luogo solo in centri autorizzati SPARKY utilizzando parti di ricambio originali. Riparazioni incorrette potrebbero causare serie lesioni all'utente.
- Utilizzare parti di ricambio ed accessori originali SPARKY. Parti o accessori non originali potrebbero risultare dannosi e invalidare così i termini di garanzia.
- Controllare regolarmente il galleggiante.
- In caso del liquido fuoriesca dall'apparecchio, spegnerlo immediatamente e staccare la spina dalla presa di corrente.
- Non immergere in acqua. Assicurarsi che non vi sia dell'acqua sull'apparecchio.
- Osservare le norme vigenti sullo smaltimento dell'acqua residua.
- Riporre l'apparecchio in locali asciutti, sicuri e fuori dalla portata dei bambini.
- Tenere sempre pulito l'apparecchio. Non utilizzare solventi o detersivi che possano contenere tali sostanze.

Prestare particolare attenzione alle seguenti "ulteriori avvertenze di sicurezza".

#### **ULTERIORI AVVERTENZE DI SICUREZZA**

- Non aspirare ceneri ardenti, nonché oggetti appuntiti o taglienti.
- Non utilizzare l'apparecchio in luoghi umidi.
- È severamente vietato l'uso dell'apparecchio senza apposito sacco raccogli-polvere (fuorché non si aspirino liquidi). Prima dell'uso assicurarsi che il sacco sia inserito correttamente.
- Durante l'uso, assicurarsi che capelli, vestiti o arti non vengano aspirati.
- Tenere l'apparecchio lontano da fonti di calore, come stufe, forni, etc.
- Per un utilizzo corretto di questo apparecchio è necessario osservare le avvertenze di sicurezza, le norme supplementari e le istruzioni d'uso fornite in questo opuscolo. Tutti gli utenti della macchina devono aver letto queste istruzioni e devono essere a conoscenza degli eventuali rischi.
- Bambini, disabili e persone anziane non sono spesso consci dei pericoli derivanti dall'uso di apparecchi elettrici, e pertanto non devono maneggiare l'apparecchio. È assolutamente necessario attenersi alle disposizioni di prevenzione dagli infortuni, così come alle norme di sicurezza sul lavoro vigenti nella Sua area.
- L'azienda produttrice non è responsabile di danni derivanti da modifiche apportate dall'utente nonché da

uso improprio o scorretto.

- Non esporre l'utensile alla pioggia o all'umidità e non utilizzarlo in presenza di liquidi infiammabili, gas o polveri. Mantenere l'area di lavoro pulita e ben illuminata.

## Elementi dell'apparecchio

1. Maniglia
2. Interruttore ON/OFF
3. Testa di aspirazione
4. Gabbia prefiltro
5. Galleggiante
6. Ganci di chiusura
7. Serbatoio
8. Raccordo entrata aria
9. Rotelle anteriori
10. Tubo flessibile
11. Prolunghe rigide
12. Raccordo uscita aria
13. Spazzola snodata per pavimenti
14. Sacco raccogli-polvere
15. Bocchetta a lancia
16. Supporti per rotelle
17. Sede ganci di chiusura
18. Supporto per accessori
19. Filtro-mousse per sostanze liquide
20. Ruote posteriori
21. Filtro a cartuccia
22. Filtro in tessuto
23. Gancio per avvolgimento cavo

### PRIMA DELL'USO

Prima dell'uso verificare la presenza di tutti i componenti e degli accessori elencati. In caso di mancanze o apparenti difetti rivolgersi al rivenditore specializzato. L'inservanza di tale raccomandazione potrebbe provocare gravi incidenti.

Aprire lo scatolone ed estrarre con cura i suoi contenuti.

1. Spingere i ganci di chiusura (6) verso l'esterno, sbloccando così la testa di aspirazione (3) (Fig.1).
2. Rimuovere la testa di aspirazione (3) (Fig.2), ed estrarre le parti presenti nel serbatoio.

Verificare la presenza di tutte le parti confrontandole con la lista precedentemente riportata, ed accertarsi che siano integre.

### MONTAGGIO

- Spingendo i ganci di chiusura (6) verso l'esterno, sbloccare la testa di aspirazione (3) (Fig.1).
- Rimuovere la testa (3) (Fig.2).
- Capovolgere il serbatoio (7) poggiandolo su una superficie piana.
- Fissare i supporti per le rotelle (16) nelle apposite guide ai piedi del serbatoio (Fig.3).
- Inserire le rotelle negli appositi supporti esercitando una moderata pressione (Fig.4).
- Fissare le ruote posteriori (20) nelle apposite guide ai piedi del serbatoio. Le rotelle sono contrassegnate con "L" e "R" (rispettivamente sinistra e destra).
- Riportare il serbatoio nella posizione di partenza (7).
- Inserire il filtro appropriato per il tipo di aspirazione

necessaria.

- Riporre la testa di aspirazione (3).
- Allineare la testa di aspirazione (3) ai ganci di chiusura (6).
- Bloccare la testa di aspirazione (3) facendo scattare i ganci di chiusura (6).
- Inserire l'estremità del tubo flessibile (10) nell'apposito raccordo di entrata aria (8) posizionato sul serbatoio (Fig.5). Allineare la dentatura dell'attacco del tubo alle fessure presenti nel raccordo (8) e farlo ruotare nella direzione indicata dalla freccia.
- Fissare la bocchetta desiderata al tubo flessibile (10) (Fig.6).
- Dopo l'uso e la pulizia dell'apparecchio, riporre gli accessori negli appositi supporti (18) (Fig.7).

## Uso dell'aspirapolvere

Questo apparecchio è azionato da corrente alternata monofase e deve essere collegato esclusivamente a prese di corrente con messa a terra. Questo apparecchio è conforme alla direttiva europea sulla schermatura.

### PRIMA DELLA MESSA IN SERVIZIO

- Accertarsi che il voltaggio della presa di corrente corrisponda al valore indicato sull'etichetta del prodotto riportante i dati tecnici.
- Assicurarsi che il cavo e la spina siano in ottimo stato. In caso la sostituzione del cavo in dotazione sia necessaria, ciò deve essere effettuato dall'azienda produttrice o in un centro autorizzato di modo da evitare alcun rischio.
- Leggere attentamente ed osservare le istruzioni riportate nella sezione "Avvertenze di sicurezza per l'uso di aspirapolvere/aspiraliquidi".

### UTILIZZO COME ASPIRAPOLVERE



**ATTENZIONE!** Non aspirare sostanze nocive alla salute.



**ATTENZIONE:** È severamente vietato aspirare liquidi se gli elementi filtranti per polveri sono inseriti.

I seguenti filtri sono adatti all'aspirazione di polveri:

- a) Il filtro in tessuto (22) ed il sacco raccogli-polvere (14) possono essere utilizzati insieme o separatamente. L'utilizzo in contemporanea aumenta l'efficacia del filtraggio.
- b) Il filtro a cartuccia (21) ed il sacco raccogli-polvere (14) possono essere utilizzati insieme o separatamente. Se utilizzati separatamente, il filtro a cartuccia garantisce un filtraggio più efficace rispetto a quello del sacco.

Rendimento del filtro:

- Filtro a cartuccia - elevato
- Filtro in tessuto - medio
- Sacco raccogli-polvere - basso

- Assicurarsi che la spina non sia inserita nella presa di corrente.

- Verificare che il serbatoio (7) sia pulito ed asciutto.

#### **Filtro in tessuto**

Porre il filtro in tessuto (22) sulla gabbia prefiltro (4). (Fig. 8)

#### **Filtro a cartuccia**

Posizionare il filtro a cartuccia sulla gabbia prefiltro (4) (Fig.9) e bloccarla facendone ruotare il coperchio. Per pulirlo è sufficiente scuoterlo o spazzolarlo.

Se il filtro viene utilizzato per aspirare polvere di cemento o di materiali simili, il filtro a cartuccia (21) deve essere pulito e spazzolato più frequentemente. Questo costituisce un prerequisito fondamentale per un ottimo e duraturo uso dell'aspirapolvere. Se la forza di aspirazione dovesse diminuire o in caso il filtro sia danneggiato, è necessario sostituirlo immediatamente.

#### **Sacco raccogli-polvere**

• Porre la flangia sul raccordo di entrata aria all'interno del serbatoio (Fig.10). Fissarla esercitando una moderata pressione (Fig.11) prestando attenzione a non danneggiare il sacco.

L'uso di un sacco raccogli-polvere inadatto invalida i termini di garanzia.

Controllare il sacco raccogli-polvere (14) regolarmente e cambiarlo quando i materiali aspirati abbiano raggiunto i 2/3 della capienza. Il sacco è progettato in modo tale da far penetrare solo aria e non polvere. Pertanto è sconsigliato il riutilizzo dello stesso sacco più volte.

Evitare l'uso del sacco raccogli-polvere (14) per materiali taglienti o umidi.

- Riposizionare la testa di aspirazione (3) sul serbatoio e bloccarla facendo scattare i ganci di chiusura (6).
- Inserire l'estremità del tubo flessibile (10) nell'apposito raccordo di entrata aria (8) posizionato sul serbatoio.
- Fissare la bocchetta desiderata (13, 15) o il tubo telescopico (11) al tubo flessibile (10).
- Prima di inserire la spina nella presa di corrente assicurarsi che l'interruttore ON/OFF (2) sia in funzione OFF, indicata dal simbolo "O".
- Inserire la spina nella presa.
- Avviare il motore (posizionando l'interruttore ON/OFF sul simbolo "I").
- Dopo l'uso spegnere il motore posizionando l'interruttore (2) in funzione OFF, indicata dal simbolo "O".
- Togliere la spina dalla presa.

#### **UTILIZZO COME ASPIRALIQUIDI**



**ATTENZIONE!** Non aspirare materiali pericolosi.

- Assicurarsi che la spina dell'apparecchio non sia inserita nella presa di corrente.
- Accertarsi che il serbatoio (7) non contenga polvere o altri materiali.
- Non utilizzare il filtro a cartuccia (21) per l'aspirazione di liquidi!
- Rimuovere il sacco raccogli-polvere (14) e il filtro in tessuto (22) se utilizzati precedentemente.
- Porre il filtro-mousse per sostanze liquide (19) sulla gabbia prefiltro (4) (Fig.12).

- Riporre la testa di aspirazione (3) sul serbatoio e bloccarla mediante i ganci di chiusura (6).
- Inserire l'estremità del tubo flessibile (10) nell'apposito raccordo di entrata aria (8) posizionato sul serbatoio.
- Fissare la bocchetta desiderata (13, 15) o il tubo telescopico (11) al tubo flessibile (10).
- Prima di inserire la spina nella presa di corrente assicurarsi che l'interruttore ON/OFF (2) sia in funzione OFF, indicata dal simbolo "O".
- Inserire la spina nella presa.
- Avviare il motore (posizionando l'interruttore ON/OFF sul simbolo "I").
- Dopo l'uso spegnere il motore posizionando l'interruttore (2) in funzione OFF, indicata dal simbolo "O".
- Togliere la spina dalla presa.
- Una volta terminato il lavoro svuotare e pulire il serbatoio (7).

**AVVERTENZA:** Per aspirare grandi quantità di liquido da un lavandino o un recipiente si consiglia di non immergere completamente la bocchetta a lancia, onde assicurare un parziale afflusso d'aria.

L'apparecchio è provvisto di un galleggiante (5) (Fig.13) che impedisce di aspirare quando il serbatoio è pieno. L'utente avverte l'assenza di aspirazione dall'incremento del numero di giri del motore. Spegnere immediatamente l'apparecchio e staccare la spina.

Un serbatoio pieno può essere molto pesante, prestare attenzione.

Una volta terminato il lavoro spegnere l'apparecchio e staccarne la spina. Svuotare e pulire il serbatoio (7), sia internamente che esternamente.

**IMPORTANTE!** Dopo aver utilizzato l'apparecchio come aspiraliquidi, procedure come indicato nella sezione "Utilizzo come aspirapolvere" prima di ricominciare ad utilizzarlo per aspirare polveri.

#### **FUNZIONE ARIA IN USCITA**

Rimuovere il gancio avvolgicavo (23). Inserire l'estremità del tubo flessibile nell'orifizio. Allineare la dentatura dell'attacco del tubo alle fessure presenti nel raccordo (8) e farlo ruotare nella direzione indicata dalla freccia (Fig.14).



**ATTENZIONE:** Non rivolgere il flusso d'aria verso persone, animali o oggetti. L'aria potrebbe essere calda.

#### **ACCESSORI**

MODELLO	VC 1221
Tubo flessibile	•
2 prolunghe rigide in plastica	•
Sacco raccogli-polvere	•
Filtro in tessuto	•
Filtro-mousse per materiali liquidi	•
Filtro a cartuccia	•
Spazzola snodata per pavimenti	•
Bocchetta a lancia	•

Ruote	2 rotelle + 2 ruote
Supporti rotelle	2



**ATTENZIONE!** Utilizzare solo accessori SPARKY originali. L'uso di accessori o parti di ricambio non originali potrebbero causare dei rischi ed invalidano i termini di garanzia.

## Manutenzione

- Assicurarsi che la spina dell'apparecchio non sia inserita nella presa di corrente.
- Rimuovere il tubo flessibile (10) dal serbatoio.
- Allentare i ganci di chiusura (Fig.1) e rimuovere testa di aspirazione (3) dal serbatoio (Fig.2).
- Rimuovere tutta la polvere e i materiali residui rimasti nel serbatoio (7) e nel tubo flessibile (10).
- Pulire il filtro-mousse per materiali liquidi (19) lavandolo con un detersivo delicato.
- Assicurarsi che il tubo, i raccordi e il cavo non siano danneggiati.

- Rimuovere il filtro-mousse per materiali liquidi (19) e controllare il galleggiante (5). A questo scopo capovolgere la testa di aspirazione (3) così che il galleggiante sia rivolto verso l'alto. Il galleggiante (5) deve muoversi senza intoppi dall'alto verso il basso e viceversa (Fig.13).



**ATTENZIONE!** Non usare trielina, solventi o altri detersivi abrasivi.



**ATTENZIONE!** Il gruppo elettrico non deve entrare in contatto con acqua o altri liquidi.

**IMPORTANTE!** Per garantire la sicurezza e l'affidabilità dell'apparecchio, riparature, lavori di manutenzione ed altre operazioni (incluso il controllo e l'eventuale sostituzione delle spazzole) devono essere effettuate da centri di assistenza SPARKY autorizzati, dove vengono adoperate solo parti originali.

## EVENTUALI PROBLEMI

Effetto	Probabile causa	Rimedio
L'apparecchio non funziona.	Mancanza di corrente	Verificare la presa di corrente
	Cavo di alimentazione elettrica, interruttore o motore difettosi	Rivolgersi al centro di assistenza autorizzato
	Serbatoio pieno	Svuotare il serbatoio
La polvere esce dalle griglie di uscita d'aria.	Sacco raccogli-polvere/filtro a cartuccia mancante o danneggiato	Inserire un sacco raccogli-polvere/filtro a cartuccia o sostituire quello esistente
Il motore aumenta notevolmente il numero di giri e il flusso d'aria diminuisce.	Filtro a cartuccia intasato	Sostituire il filtro a cartuccia
	Bocchetta, tubo o serbatoio intasato	Controllare la bocchetta, il tubo o il serbatoio.

## Garanzia

Il periodo di garanzia per gli utensili SPARKY ha validità a partire dalla data di acquisto ed è conforme alle normative europee.

Non sono coperti da garanzia danni derivanti da usura, sovraccarico o uso improprio.

L'azienda produttrice assicura la sostituzione di tutte le parti non funzionanti in cui si riconoscano difetti di materiale e/o di lavorazione.

Le prestazioni di garanzia saranno erogate solo se la macchina richiesta sarà inviata in condizioni integre al rivenditore o ad un centro di assistenza, accompagnata dallo scontrino fiscale.

## Ulteriori informazioni

Leggere attentamente tutte le istruzioni sull'uso prima di adoperare questo prodotto.

L'azienda produttrice si riserva il diritto di apportare modifiche tecniche senza preavviso.

Le specifiche tecniche possono variare da paese a paese.



# Contenido

Introducción .....	31
Datos técnicos .....	33
Instrucciones de seguridad al operar con aspiradoras.....	33
Componentes principales del electrodoméstico .....	35
Instrucciones de operación .....	35
Mantenimiento .....	37
Garantía.....	38

## Introducción

El electrodoméstico SPARKY que acaba de adquirir superará sus expectativas, ya que ha sido fabricado según las altas normas de calidad de SPARKY, respondiendo a los más rigurosos requerimientos del usuario. Su mantenimiento fácil y es seguro a la hora de explotarse. Si se usa correctamente, este electrodoméstico funcionará con fiabilidad durante muchos años.



### ¡ADVERTENCIA!

Antes de usar el electrodoméstico SPARKY que acaba de adquirir, lea atenta e íntegramente estas instrucciones de explotación. Preste especial atención a los textos encabezados por la palabra "Advertencia". Su electrodoméstico SPARKY posee muchas cualidades que facilitarán su trabajo. Al elaborarse este electrodoméstico, se ha prestado mayor atención a la seguridad, a las cualidades de explotación y a la fiabilidad, que facilitan su mantenimiento y explotación.



### ¡No tire los electrodomésticos junto con los residuos domésticos!

Los residuos de artículos eléctricos no deben recogerse junto con los residuos domésticos. Por favor, recíclelos en los lugares destinados a ello. Póngase en contacto con las autoridades locales o un representante suyo para consultar respecto al reciclaje.



### PROTECCIÓN DEL MEDIO AMBIENTE

Con miras a la protección del medio ambiente, este electrodoméstico, sus accesorios y el envase han de someterse a un tratamiento adecuado para que se reutilicen las materias primas que contienen. Para facilitar el reciclaje de las piezas fabricadas de materiales artificiales, éstas han sido indicadas mediante en la respectiva forma.

## DESCRIPCIÓN DE LOS SÍMBOLOS

En la placa de características técnicas de la herramienta eléctrica y/o el acumulador, se han estampado diversos símbolos que contienen información importante acerca del artículo o instrucciones para su uso.



Doble aislamiento de protección adicional



Aspiradora de limpieza en húmedo



Conformidad con las directrices europeas aplicables



Cumple con las regulaciones de la Unión Aduanera



Compatibilidad con los requisitos de los documentos normativos ucranianos



Lea las instrucciones de explotación

---

YYYY-Www Período de producción en que los símbolos variables son:  
YYYY - año de producción, ww – semana natural consecutiva

---

**VC** ASPIRADORA DE LIMPIEZA EN HÚMEDO/SECO

---

## Datos técnicos

<b>MODELO:</b>	<b>VC 1221</b>
▪ Potencia absorbida	1250 W
▪ Potencia máxima de aspiración	1500 W
▪ Capacidad del depósito	20 l
▪ Material del depósito	de plástico
▪ Capacidad del saco colector de polvo	20 l
▪ Potencia máxima de aspiración	18 kPa
▪ Débito máximo	55 l/s
▪ Débito según la norma EN 60312	27 l/s
▪ Aspiración de líquidos	sí
▪ Regulación del caudal de aire	no
▪ Diámetro de la manguera	Ø36 mm
▪ Longitud de la manguera	1,5 m
▪ Longitud del cable	4 m
▪ Radio del área de operación	6 m
▪ Peso (EPTA procedimiento 01/2014)	4,5 kg
▪ Grado de protección	IP X4
▪ Clase de protección	□ / II
▪ <b>Emisión de ruido</b> (los valores se han medido según la norma EN 60704-1):	
A-nivel determinado de presión sonora $L_{pA}$	75,6 dB(A)
A-nivel determinado de potencia sonora $L_{WA}$	88,7 dB(A)



¡Utilice medios de protección contra el ruido!

## Instrucciones de seguridad al operar con aspiradoras

- Este aparato no está previsto para la utilización por niños y personas con limitadas capacidades físicas, sensoriales o intelectuales o con falta de experiencia y conocimientos.
- Este aparato puede ser utilizado por niños mayores de 8 años, personas con capacidades físicas, sensoriales o mentales limitadas, o personas sin experiencia y conocimiento, si trabajan bajo supervisión o tienen instrucciones de la operación segura con este aparato y son conscientes de los peligros potenciales. Los niños no deben jugar con el aparato. La limpieza y el mantenimiento del aparato no se deben hacer por niños sin supervisión.



**ADVERTENCIA:** Este electrodoméstico cumple las normas obligatorias de seguridad relativas a artículos eléctricos. Para evitar el riesgo de ocasionar lesiones, el usuario debe leer estas instrucciones de explotación. Léanse todas las instrucciones. En caso de no atenerse a las instrucciones que se enumeran a continuación, ello puede ocasionar accidentes y/o daños materiales, así como anular la garantía.

¡Guarde estas instrucciones para consultarlas en el futuro!



**ADVERTENCIA:** Observe si la tensión de la red eléctrica corresponde a la que se indica en la placa de las características técnicas del electrodoméstico.

- No conecte el electrodoméstico, si no está seguro en la tensión de la red eléctrica.
- Cuando la tensión de alimentación es más alta que la nominal, ello puede ocasionar lesiones graves al operario, así como dañar el electrodoméstico.
- Cuando la tensión de alimentación es más baja que la nominal, el motor eléctrico se dañará.
- El electrodoméstico está destinado a la aspiración de materiales que no son peligrosos para la salud, ni son

inflamables.

- Este electrodoméstico está concebido para uso doméstico.
- No use el electrodoméstico a la intemperie (a no ser que haya sido concebido expresamente para trabajar a la intemperie).
- Proteja el electrodoméstico de la acción del calor, de la luz solar directa o de la humedad elevada (por ejemplo, lluvia).
- No sumerja el electrodoméstico en líquidos, y protéjalo de los bordes agudos que puedan dañarlo.
- No opere con el electrodoméstico cuando sus manos están mojadas o húmedas. Si el electrodoméstico llega a mojarse durante la operación, retire inmediatamente el enchufe de la toma de corriente. No sumerja el electrodoméstico en agua.
- Al operar con la aspiradora en un entorno húmedo, use un dispositivo de protección que se acciona por corriente eléctrica residual a fin de interrumpir la alimentación. El uso de un dispositivo de protección reduce el riesgo de ocasionar lesiones a raíz de la corriente eléctrica.
- El electrodoméstico debe usarse solamente conforme al propósito con el que ha sido concebido. Cualquier otro uso distinto al que se describe en estas instrucciones, se considera uso incorrecto. La responsabilidad por cualquier daño o lesión, que se originan por el uso incorrecto, se asumirá por el usuario, y no por el fabricante.
- Nunca dirija las aberturas de conexión del electrodoméstico hacia su rostro (sobre todo hacia los ojos, las orejas, etc.). Nunca dirija el terminal hacia personas o animales.
- Antes de empezar a operar con el electrodoméstico, convénzase de que en el portaherramientas se ha colocado un saco colector de polvo apropiado, y que éste ha sido fijado correctamente. Cuando el saco colector de polvo se haya fijado inadecuado o incorrectamente, ello podrá dañar el electrodoméstico y anular la garantía.
- No aspire hollín, carbón caliente, etc., así como grandes trozos de vidrio roto y objetos agudos.
- No aspire polvo de tóner para impresoras o fotocopiadoras, dado que el tóner es un material termorretráctil. Además, es posible que el polvo del tóner no pueda ser retenido completamente por el sistema de filtración de la aspiradora de limpieza en húmedo/seca, y desprenderse en el aire a través del ventilador de aire de salida.
- No se deben limpiar líquidos inflamables o venenosos, como gasolina, petróleo, ácidos u otras sustancias volátiles.
- No se deben aspirar líquidos cuya temperatura sea superior a 60°C, así como cualquier tipo de polvo venenoso o inflamable.
- No se debe limpiar amianto ni polvo de amianto.
- Nunca coloque el electrodoméstico recostado de un lado. Preste especial atención a la posición horizontal y a la estabilidad del electrodoméstico al operar en una escalera.



**ADVERTENCIA:** Desconecte siempre el electrodoméstico, y saque el enchufe de la toma de corriente después de terminar la operación, antes de limpiarlo, antes de cambiarle los filtros y los accesorios, antes transportar o guardar el electrodoméstico. Nunca saque el enchufe tirando del cable. Desmunte todos los accesorios del electrodoméstico antes de guardarlo.

- No se debe guardar el electrodoméstico en proximidad directa a fuentes de calor.
- Nunca deje la aspiradora en funcionamiento sin vigilancia. Si debe alejarse de la zona de trabajo, ante todo desconecte la aspiradora o saque el enchufe de la toma de corriente (saque el enchufe sin tirar del cable).
- Nunca opere con el electrodoméstico cuando esté bajo los efectos de medicamentos, alcohol o drogas, si está sometido a un tratamiento o cuando esté cansado.
- Procure que el cable esté dispuesto de modo que nadie pueda tropezar con él.
- Revise con regularidad el buen estado del electrodoméstico y del cable de alimentación. No opere con electrodomésticos defectuosos.
- Si el cable de alimentación está dañado, la sustitución de éste deberá hacerse por un servicio autorizado de SPARKY.
- No intente reparar el electrodoméstico Ud. mismo. La reparación de estos electrodomésticos deberá efectuarse solamente por especialistas cualificados en los servicios autorizados de SPARKY, utilizando piezas de recambio originales. La reparación incorrecta puede ser motivo de que surjan graves peligros para el usuario.
- Utilice solamente accesorios originales SPARKY. El uso de piezas o accesorios que no son originales es un peligro potencial y anula la garantía.
- Revise regularmente el flotador.
- Si observa el derrame de líquidos del electrodoméstico, desconéctelo inmediatamente, y saque el enchufe de la toma de corriente.
- No sumerja el electrodoméstico en agua. Revise que sobre el electrodoméstico no se haya derramado agua.
- Al tirar el agua que se ha aspirado, observe que se estén cumpliendo las disposiciones legales.
- Guarde el electrodoméstico en un lugar seguro y seco, fuera del alcance de los niños.
- Mantenga siempre la aspiradora limpia. No se deben usar disolventes, ni detergentes de limpieza que contengan disolventes.

Por favor, preste suma atención a los requisitos especiales de seguridad que se enumeran a continuación.

#### **REQUISITOS ESPECIALES DE SEGURIDAD**

- No se deben aspirar hollines calientes, ni objetos con bordes o extremos agudos.
- No se debe operar con el electrodoméstico en locales húmedos.
- Observe que durante la operación el pelo, la vestimenta o partes de ésta no se vayan a aspirar.

- Proteja la aspiradora de fuentes de calor, como radiadores, hornos, etc.
- Para explotar correctamente este electrodoméstico, deben observarse las normas de seguridad, las instrucciones generales y las directrices de operación que se indican aquí. Cada usuario debe conocer estas instrucciones de explotación, y estar informado acerca de los potenciales riesgos al operar con el electrodoméstico.
- Este electrodoméstico no está concebido para ser usado por personas (incluso niños) de limitadas capacidades físicas, sensitivas o mentales, con experiencia y conocimientos insuficientes, salvo en los casos en que estén vigilados y reciban instrucciones de una persona responsable de su seguridad.
- Los niños han de estar bajo la vigilancia de los adultos para garantizar que no vayan a jugar con la herramienta eléctrica.
- El fabricante no asume responsabilidad por las modificaciones en la herramienta eléctrica efectuadas por el usuario o por los daños que hayan sido ocasionados a raíz de estas modificaciones.
- El electrodoméstico no debe utilizarse a la intemperie cuando esté lloviendo, en un entorno húmedo (después de llover), o cerca de líquidos y gases fácilmente inflamables. El puesto de trabajo debe estar bien iluminado.

## Componentes principales del electrodoméstico

1. Asa
2. Interruptor
3. Tapa
4. Soporte de filtros
5. Flotador
6. Cierres
7. Depósito
8. Fijación de la manguera
9. 2 pequeñas ruedecillas de rodillo
10. Juego de manguera
11. Tubo de plástico
12. Abertura para comprimir aire
13. Terminal para revestimientos de suelos duros
14. Saco colector de polvo
15. Terminal estrecho para ranuras y juntas
16. Bases de las ruedecillas de rodillo
17. Caja de cierre
18. Lugar de fijación de accesorios
19. Filtro de masa plástica espumada
20. 2 grandes ruedecillas
21. Filtro de pliegues de poliéster
22. Filtro de limpieza en seco
23. Gancho para enrollar el cable

### DESENVASE

Según las tecnologías generalmente aceptadas de producción, es poco probable que el electrodoméstico que acaba de adquirir sea defectuoso o que le falte alguna pieza. Si observa algún desperfecto, no opere con el electrodoméstico hasta que no se haya sustituido la pieza

dañada o el defecto no haya sido eliminado. El incumplimiento de esta recomendación puede conducir a graves accidentes de trabajo.

Desempaque cuidadosamente el contenido de la caja.

1. Sujete ambos cierres (6) que sostienen la tapa (3), doblándolos hacia arriba (Fig.1).
2. Afloje los cierres, retire la tapa (Fig.2) y saque el contenido del depósito.

Por favor, observe que todas las piezas enumeradas en el listado anterior existen y asegurarse de que estén disponibles, como también que durante el transporte no se hayan producido daños.

### MONTAJE

- Sujete ambos cierres que sostienen la tapa, doblándolos hacia arriba (Fig. 1).
- Desbloquee los cierres y levante la tapa hacia arriba y hacia afuera (Fig. 2).
- Gire el depósito con la abertura hacia abajo sobre una superficie estable, llana y limpia.
- Fije las bases (16) de las pequeñas ruedecillas de rodillo (9) hacia el depósito con unos tornillos. (Fig. 3)
- Fije las pequeñas ruedecillas de rodillo anteriores (9) hacia sus bases (16), apretándolas. (Fig. 4)
- Por medio de tornillos, fije las grandes ruedecillas posteriores (20) que han sido montadas al depósito, junto con las bases. Sobre las ruedas hay un marcado (L y R) para hacer el montaje por el lado izquierdo (L) y por el lado derecho (R).
- Coloque el depósito en posición normal.
- Coloque un filtro apropiado para la operación que va a efectuar.
- Coloque la tapa de nuevo sobre el depósito.
- Nivele la tapa con los cierres.
- Cuelgue los cierres hacia la tapa, apretándolos hacia abajo, hasta que se oiga un chasquido.
- Coloque el extremo ancho de la manguera (10) en la abertura de aspiración anterior (8) del depósito (Fig.5). El diente del tubo de empalme de la manguera debe coincidir con el canal de la abertura de entrada. Gire el tubo de empalme en el sentido marcado con la flecha.
- Seleccione un terminal y/o un tubo apropiados, y colóquelos sobre la manguera (10), (Fig. 6).
- Después de terminar la operación y limpiar el electrodoméstico, guarde sus accesorios, colocándolos en los respectivos mecanismos de fijación de la aspiradora (Fig. 7).

## Instrucciones de operación

Estos electrodomésticos se alimentan mediante tensión de corriente eléctrica monofásica alterna y han de conectarse a tomas de corriente, con bornes de protección. Las radiointerferencias corresponden a la Directiva de Compatibilidad Electromagnética.

### ANTES DE EMPEZAR A OPERAR

- Observe si la tensión de la red eléctrica corresponde a la que se indica en la placa de las características técnicas del electrodoméstico.

- Convéngase de que el cable de alimentación y el enchufe se encuentran en buen estado. Si el cable de alimentación está dañado, éste deberá sustituirse por el fabricante o por un técnico de servicio suyo para evitar los peligros relativos a esta sustitución.
- Lea, familiarícese y siga las instrucciones del aparato "Instrucciones de seguridad al operar con aspiradoras".

## LIMPIEZA EN SECO



**ADVERTENCIA:** No se deben limpiar sustancias nocivas para la salud.



**ADVERTENCIA:** No se deben aspirar líquidos cuando se han montado los elementos de filtro de limpieza en seco.

Cuando se hace limpieza en seco, se utilizan los siguientes elementos de filtro:

- a) El filtro de limpieza en seco (22) y el saco colector de polvo (14) se pueden usar juntos o por separado. Cuando se usan juntos, la filtración es más eficaz.
- b) El filtro de pliegues (21) y el saco colector de polvo (14) se pueden usar juntos o por separado. Cuando se usan independientemente, la productividad de filtración del filtro de pliegues es mucho más alta que la del saco colector de polvo.

Productividad de filtración:

Filtro de pliegues: alta

Filtro de limpieza en seco: media

Saco colector de polvo: baja

- Observe que el electrodoméstico no esté conectado a la red de alimentación.
- Observe que el depósito (7) esté limpio y seco.

### Filtro de limpieza en seco

Monte el filtro de limpieza en seco (22) sobre el soporte de filtros (4). (Fig. 8)

### Filtro de pliegues

Coloque el filtro de pliegues sobre el soporte de filtros (4) (Fig.9). Cierre el soporte de filtros (4) con la tapa de fijación, girándola. Después de un uso continuo, el filtro deberá limpiarse, sacudiéndolo o cepillándolo.

Al limpiar hormigón u otros materiales similares que desprenden polvo fino, el filtro de pliegues deberá cepillarse y sacudirse frecuentemente. Ello es una premisa importante para un trabajo seguro y una explotación duradera de su aspiradora. Si observa que la fuerza de aspiración disminuye o que el filtro de pliegues se ha dañado, deberá sustituirlo inmediatamente por uno nuevo.

### Saco colector de polvo

- Revista el saco colector de polvo sobre la abertura de unión de la manguera (Fig.10) desde la parte interior del depósito. Apriételo hasta que haya entrado con un chasquido (Fig.11). Mientras esté efectuando esta operación, observe que no se vaya a dañar el saco colector de polvo.

El uso de un saco colector de polvo inapropiado anula la garantía.

Observe regularmente el saco colector de polvo (14), y sustitúyalo cuando se haya llenado hasta 2/3 de su volumen. El saco colector de polvo se ha diseñado de modo que deje pasar solamente aire, y no polvo. Por esta razón, un saco colector de polvo usado no se puede emplear dos veces.

No use el saco colector de polvo al aspirar objetos de bordes agudos u objetos mojados.

- Coloque nuevamente la tapa sobre el depósito, cerrando los cierres.
- Coloque el extremo ancho de la manguera sobre la abertura de aspiración anterior del depósito.
- Seleccione el terminal necesario (13,15) o el tubo (11); conecte a la manguera (10) y conecte también el extremo de la manguera a la abertura de aspiración del electrodoméstico.
- Observe que el interruptor (2) del electrodoméstico esté en posición de desconexión "O" antes de introducir el enchufe del cable de alimentación en la toma de corriente.
- Introduzca el enchufe en la toma de corriente.
- Conecte el motor eléctrico (el interruptor está en posición "I").
- Después de terminar de limpiar, desconecte el motor eléctrico, poniendo el interruptor (2) en posición de desconexión "O".
- Saque el enchufe de la toma de corriente.

## LIMPIEZA EN HÚMEDO



**ADVERTENCIA:** No se deben limpiar sustancias nocivas para la salud.

- Asegúrese de que el enchufe del cable de alimentación del electrodoméstico haya sido retirado de la toma de corriente.
- Observe si el depósito (7) ha sido vaciado de polvo y de basura.
- Quite el pliegue de filtros montado en fábrica (21), ya que no es apropiado para limpieza en húmedo.
- Quite el saco colector de polvo (14), y el filtro de limpieza en seco (22), si antes ha operado con éstos.
- Ponga el filtro de masa plástica espumada (19) (Fig. 12) sobre el soporte de filtros.
- Coloque de nuevo la tapa sobre el depósito, abrochando los cierres.
- Coloque el extremo ancho de la manguera sobre la abertura anterior de aspiración del depósito.
- Seleccione el terminal necesario (13,15) o el tubo (11), colocándolos en la manguera (10).
- Asegúrese de que el interruptor (2) del electrodoméstico se encuentra en posición de desconexión "O" antes de colocar el enchufe del cable de alimentación en la toma de corriente.
- Ponga el enchufe del cable de alimentación en la toma de corriente.
- Ponga el interruptor (2) en la posición "I" para conectar el motor eléctrico.
- Cuando haya terminado la limpieza en húmedo desconecte la aspiradora, poniendo el interruptor (2) en posición de desconexión "O".
- Saque el enchufe del cable de alimentación de la

toma de corriente.

- Después de terminar la operación, vacíe y limpie el depósito (7).

**Recomendación:** Si se tiene que aspirar una gran cantidad de líquido de un lavabo o de un tanque, no ponga todo el terminal en el líquido, y deje una parte de este terminal libre para asegurar la aspiración de aire junto con el líquido.

El electrodoméstico ha sido suministrado con un flotador (5) (Fig.13) que desconecta la aspiradora cuando el depósito se ha llenado. Se dará cuenta de que la aspiración ha terminado por el hecho de que las revoluciones del motor eléctrico aumentan. En este caso, desconecte el electrodoméstico y saque el enchufe del cable de la toma de corriente.

Se dará cuenta de que el depósito lleno resulta demasiado pesado.

Después de terminar la limpieza en húmedo, desconecte el electrodoméstico y saque el enchufe del cable de la toma de corriente. Vacíe el depósito, limpiándolo/secándolo por dentro y por fuera antes de guardarlo.

**¡IMPORTANTE!** Después de una limpieza en húmedo y antes de pasar nuevamente a una limpieza en seco, cumpla los requisitos que se indican en el apartado "Limpieza en seco".

## COMPRESIÓN DE AIRE

Quite el gancho para enroscar el cable (23). Coloque el extremo ancho de la manguera en la abertura que se encuentra en la parte trasera superior de la aspiradora. El diente del tubo de empalme de la manguera debe coincidir con el canal de la abertura de entrada. (Fig.14)



**ADVERTENCIA:** Nunca dirija el caudal de aire hacia personas, animales u objetos, ya que el aire saliente puede ser muy caliente.

## ACCESORIOS

MODELO	VC 1221
Juego de mangueras	•
Tubo de plástico de 2 partes	•
Saco colector de polvo	•
Filtro de limpieza en seco	•
Filtro de masa plástica espumada	•
Filtro de pliegues	•
Terminal para revestimientos de suelos duros	•
Terminal para juntas	•
Ruedecillas	2 pequeñas + 2 grandes
Bases para ruedecillas de rodillo	2



**ADVERTENCIA:** Utilice solamente accesorios originales de SPARKY. El uso de piezas o accesorios que no son originales es un peligro potencial y anula la garantía.

## Mantenimiento

- Asegúrese de que el enchufe del cable de alimentación del electrodoméstico ha sido sacado de la toma de corriente.
- Saque la manguera (10) del depósito.
- Desbloquee los cierres (Fig. 1) y quite la tapa del depósito (Fig. 2).
- Limpie básicamente el depósito y la manguera de la basura que se ha acumulado y de los residuos.
- Limpie el filtro de masa plástica espumada (19), lavándolo con un detergente suave.
- Revise la manguera y las aberturas de unión, y asegúrese que el cable de alimentación no se haya dañado.
- Después de quitar el filtro de masa plástica espumada (19), revise el flotador (5). Para realizar estas operaciones, sostenga la tapa por el asa, girándola cuidadosamente de modo que el soporte del filtro indique hacia arriba. El flotador debe moverse libremente hacia arriba y hacia abajo (Fig.13).



**ADVERTENCIA:** No utilice alcohol, gasolina ni otros disolventes. Nunca utilice detergentes corrosivos para limpiar las piezas de plástico.



**ADVERTENCIA:** El agua no debe entrar en contacto con el electrodoméstico.

**¡IMPORTANTE!** Para garantizar un trabajo seguro con el electrodoméstico y su fiabilidad, todas las operaciones relativas a su reparación, mantenimiento y regulación deben efectuarse por los centros de servicio autorizados de SPARKY, utilizando sólo piezas de recambio originales.

## POSIBLES DEFECTOS Y SU CORRECCIÓN

Defecto constatado	Probable cause	Corrective action
El electrodoméstico no funciona.	Falta de alimentación.	Revise la tensión de alimentación.
	Rechazo funcional en el cable de alimentación, el interruptor o el motor eléctrico.	Revise, repare o sustituya la pieza dañada.
	El depósito está lleno de líquido.	Vacíe el depósito.
De la tapa del motor eléctrico sale polvo.	Falta o se ha dañado el saco colector de polvo / el filtro de pliegues	Coloque o sustituya el saco colector de polvo / el filtro de pliegues
Baja potencia de aspiración y altas revoluciones del motor eléctrico / vibraciones.	El filtro de pliegues se ha obturado.	Sustituya el filtro de pliegues.
	El terminal, la manguera o el depósito se han tapado.	Revise el terminal, la manguera y el depósito.

## Garantía

El plazo de garantía de los electrodomésticos SPARKY se determina en la tarjeta de garantía.

Los defectos que hayan surgido como consecuencia de un desgaste natural, sobrecarga o explotación incorrecta quedan exentos de las obligaciones de garantía.

Los defectos que hayan surgido como consecuencia del uso de materiales de mala calidad y/o errores de producción se eliminan sin pago adicional, sustituyéndose o reparándose.

La reclamación de un electrodoméstico defectuoso SPARKY se reconoce cuando ha sido devuelto al proveedor o ha sido presentado en un servicio de garantía autorizado en su estado inicial (sin desmontar).

## Observaciones

Lea atentamente todo el manual del uso antes de utilizar este producto.

El fabricante se reserva el derecho de introducir mejoras y modificaciones en sus artículos, así como cambiar las especificaciones sin advertir.

Es posible que las especificaciones técnicas varíen de un país a otro.



# Conteúdo

Introdução .....	39
Dados técnicos .....	41
Instruções para a segurança de trabalho com aspiradores .....	41
Conhecimento da ferramenta eléctrica .....	43
Instruções para o trabalho .....	43
Manutenção .....	45
Garantia .....	46

## Introdução

A ferramenta eléctrica SPARKY recém-adquirida por Você vai ultrapassar as Suas esperanças. Ela foi fabricada de acordo com os elevados critérios de qualidade da marca SPARKY os quais vão de encontro com as exigências mais rigorosas do utente. É fácil de assistência e seguro para o uso. Ao ser correctamente usada, esta ferramenta eléctrica vai-lhe servir com segurança longos anos.



### ADVERTÊNCIA!

Leia atentamente toda a instrução para o uso, antes de iniciar o trabalho com a Sua nova ferramenta eléctrica SPARKY. Preste especial atenção aos textos que começam com a palavra “Advertência!”. O Sua ferramenta eléctrica SPARKY possui muitas qualidades que hão-de facilitar o Seu trabalho. Na concepção desta ferramenta foi prestada maior atenção à segurança, às qualidades de exploração e a confiança que oferece, coisas que o fazem fácil para manutenção e exploração.



### Não deitar para o lixo artefactos eléctricos junto com o lixo comum!

Os resíduos de artefactos eléctricos não se devem juntar com o lixo comum. É favor de reciclá-los nos lugares destinados a esse fim. Contacte com as autoridades locais ou seu representante competente para consultar acerca da reciclagem.



### PROTECÇÃO DO MEIO AMBIENTE

Em vista da protecção do meio ambiente, a ferramenta eléctrica, os acessórios e a embalagem têm de ser submetidos a reciclagem adequada para nova utilização das matérias primas que neles existem. Para facilitar a reciclagem, as peças produzidas de materiais sintéticos são devidamente marcadas.

## DESCRIÇÃO DOS SÍMBOLOS

Sobre a chapa das características da ferramenta eléctrica são marcados símbolos especiais. Eles fornecem uma importante informação sobre o produto, bem como instruções para o seu uso.



Duplo isolamento para protecção adicional

---



Aspirador de limpeza a molhado

---



Conformidade com as directrizes europeias aplicáveis

---



Está conforme com as exigências dos regulamentos da União Alfandegária

---



Conformidade com as exigências dos documentos normativos ucranianos

---



Conheça a instrução de exploração

---

YYYY-Www Período de fabrico, onde os símbolos variáveis são:  
YYYY - ano de fabrico, ww – a respectiva semana corrente do calendário

---

**VC** ASPIRADOR DE LIMPEZA A SECO / MOLHADO

---

## Dados técnicos

<b>MODELO:</b>	<b>VC 1221</b>
▪ Consumo de energia	1250 W
▪ Potência máxima de aspiração	1500 W
▪ Capacidade do contentor	20 l
▪ Material do contentor	plástico
▪ Capacidade do saco da poeira	20 l
▪ Força máxima de aspiração	18 kPa
▪ Débito máximo	55 l/s
▪ Débito segundo EN 60312	27 l/s
▪ Aspiração de líquidos	sim
▪ Regulação do fluxo de ar	não
▪ Diâmetro da mangueira	Ø36 mm
▪ Comprimento da mangueira	1,5 m
▪ Comprimento do cabo	4 m
▪ Rádio da zona operacional	6 m
▪ Peso (EPTA procedimento 01/2014)	4,5 kg
▪ Nível de segurança	IP X4
▪ Classe de segurança	□ / II
▪ <b>Emissão de ruído</b> (os valores foram calculados de acordo com EN 60704):	
A- nível calculado de pressão sonora L <sub>PA</sub>	75,6 dB(A)
A- nível calculado de potência sonora L <sub>WA</sub>	88,7 dB(A)



Use meios de protecção do ruído!

## Instruções para a segurança de trabalho com aspiradores

- Esta ferramenta não pode ser utilizado por crianças e pessoas com capacidades físicas, sensoriais ou mentais reduzidas, ou com insuficiente experiência e conhecimentos.
- Esta ferramenta tem de ser usado por crianças maiores de 8 anos, por pessoas de capacidades físicas, sensoriais ou mentais limitadas e por pessoas sem experiência e conhecimentos, caso trabalhem sob a vigilância ou tiverem recebido instrução para a segurança de trabalho com a ferramenta e tiverem consciência sobre os eventuais perigos. As crianças não podem brincar com a ferramenta. A limpeza e a manutenção da ferramenta não podem se feitas por crianças sem vigilância.



**ADVERTÊNCIA:** Esta ferramenta eléctrica vai de encontro com as prescrições obrigatórias de segurança do trabalho com ferramentas eléctricas. Para evitar o risco de traumatismos, o utente tem de ler a instrução para a exploração. Ler todas as instruções. O incumprimento das instruções enumeradas a seguir pode provocar acidente e/ou dano de bens e vai anular a garantia.

Guarde estas instruções para uso no futuro!



**ADVERTÊNCIA:** Verifique se a tensão na rede de alimentação corresponde à da indicada sobre a chapa dos dados técnicos da ferramenta.

- Se tiver quaisquer hesitações, não meta a ficha de contacto do instrumento na rede eléctrica.
- Fonte de alimentação superior à indicada para o instrumento eléctrico pode causar tanto uma séria lesão de choque eléctrico ao operário, como também avaria no instrumento.

- Fonte de alimentação inferior à indicada para o instrumento eléctrico pode causar dano ao motor eléctrico.
- A ferramenta destina-se à aspiração de materiais que não constituem perigo para a saúde e não são inflamáveis.
- Esta ferramenta destina-se exclusivamente e só para uso na casa e na oficina familiar.
- Não usar a ferramenta ao ar livre (a não ser que ela esteja expressamente destinada a trabalhar ao ar livre).
- Não deixe a ferramenta sob os efeitos de calor, luz solar directa ou umidade elevada (por exemplo, chuva).
- Não meta a ferramenta em líquidos e cuide-a de bordas afiadas que podem causar-lhe dano.
- Não se admite trabalhar com a ferramenta com as mãos molhadas ou úmidas. Se a ferramenta ficar molhada ou úmida durante o trabalho, retire imediatamente a ficha do contacto. Não meta a ferramenta em água.
- Ao trabalhar com o aspirador em ambiente úmido, use dispositivo protector, accionado por corrente residual, para cortar a alimentação de corrente eléctrica.
- A ferramenta tem de se usar só para o que for destinada. Qualquer outro uso, diferente do descrito nesta instrução, considerar-se-á uso incorrecto. A responsabilidade de toda avaria ou trauma que decorrem de uso incorrecto será assumida pelo utente e não pelo fabricante.
- Nunca coloque as aberturas de adesão da ferramenta à frente da sua cara (sobretudo dos seus olhos, ouvidos, etc.). Nunca aponte o bico para pessoas ou animais.
- Antes de iniciar o trabalho com a ferramenta, convença-se de que no suporte ficou correctamente colocado e fixado o saco de poeira apropriado. Saco de poeira impróprio ou incorrectamente colocado pode provocar av.ária da ferramenta e isto vão anular a garantia.
- Não se admite aspirar cinza, brasas, etc., grandes pedaços de vidro partido e objectos afiados.
- Não se admite aspirar poeira de toner, impressora ou Xerox, pois o toner é material condutor de electricidade. Além disso é possível que a poeira do toner não possa ser completamente captado pelo sistema de filtragem do aspirador para limpeza a seco / molhado e dispersar-se no ar pelo ventilador do ar de saída.
- Não se admite limpeza de líquidos inflamáveis ou tóxicos, tais como gasolina, petróleo, ácidos e quaisquer outras substâncias voláteis.
- Não se admite aspirar líquidos com temperatura maior de 60°C, bem como qualquer outra poeira tóxica ou inflamável.
- Não se admite aspirar amianto ou poeira de amianto.
- Nunca deite a ferramenta lateralmente. Preste especial atenção à posição horizontal da ferramenta e à estabilidade da ferramenta durante o trabalho em escadas.



**ADVERTÊNCIA:** Sempre desconecte a ferramenta e retire a ficha do contacto depois de concluir o trabalho, antes de limpeza, substituição de filtros e acessórios, transporte ou conservação. Nunca retire a ficha do contacto puxando do cabo. Desmonte todos os acessórios da ferramenta antes de guardá-la.

- Não se admite guardar a ferramenta perto de fontes de calor.
- Nunca deixe um aspirador a trabalhar sem vigilância. Se tem de afastar-se da zona operacional, primeiro desconecte o aspirador ou retire a ficha do contacto (não puxe do cabo, mas retire a ficha).
- Nunca trabalhe com a ferramenta caso se encontre sob o efeito de medicamentos, álcool ou drogas, está a seguir tratamento médico ou está cansado.
- Convença-se de que o cabo está posicionado de modo que ninguém tropece nele e não permita a crianças chegarem a ter acesso da ferramenta.
- Revise regularmente a perfeição da ferramenta e do cabo alimentador. Não trabalhe com ferramentas defeituosas.
- Caso o cabo alimentador esteja danificado, a substituição tem de se fazer na oficina autorizada da SPARKY.
- Não tente reparar a ferramenta pela Sua conta. A reparação destas ferramentas tem de se fazer só por especialistas qualificados nas oficinas autorizadas da SPARKY, usando só peças de sobresselente originais. A reparação incorrecta pode chegar a ser a causa de aparecimento de perigo significativo para o utente.
- Use só acessórios originais SPARKY. O uso de peças e acessórios não originais constitui perigo potencial e anula a garantia.
- Revise frequentemente o flutuador.
- Se reparar que da ferramenta está a escoar líquido, desconecte-a imediatamente e retire a ficha do contacto.
- Não deixe a ferramenta em água. Verifique se não há água derramada sobre a ferramenta.
- Ao deitar a água aspirada, convença-se de que está a observar as disposições legais.
- Guarde a ferramenta só num lugar seco e segura, fora do acesso de crianças.
- Mantenha sempre o aspirador limpo. Não se admite usar solventes ou detergentes que contêm solventes.

Preste atenção especial às instruções de segurança especiais, enumeradas a seguir:

#### **EXIGÊNCIAS ESPECIAIS DE SEGURANÇA**

- Não se admite aspirar cinza quente e objectos de bordas afiadas.
- Não se admite trabalhar com o aspirador em ambiente úmido,
- Não se admite trabalhar com o aspirador sem o saco de poeira (excepto no caso da limpeza a molhado). \ Convença-se de que o saco da poeira foi correctamente colocado.
- Durante o trabalho convença-se de que os seus cabelos, roupa ou partes deles não serão levados pelo aspirador.

- Cuide o aspirador de fontes de calor, tais como esquentadores, fornos, etc.
- Para explorar correctamente esta ferramenta eléctrica, tem de observar as regras de segurança, as instruções gerais e as recomendações para o trabalho mencionadas aqui. Todos os utentes têm de conhecer a presente instrução para o trabalho e estar informados dos potenciais riscos ao trabalharem com o instrumento eléctrico.
- Crianças, pessoas de físico fraco e inválidos nem sempre compreendem os perigos que decorrem do trabalho com ferramentas e não têm de usar a ferramenta eléctrica. É obrigatório tomar medidas preventivas de segurança. O mesmo refere-se à observância das regras principais de saúde profissional e segurança técnica.
- O fabricante não assume a responsabilidade pelas alterações feitas na ferramenta pelo consumidor, nem pelas avarias que decorrem dessas alterações.
- O instrumento eléctrico não se deve usar à intempérie em tempo de chuva, em ambiente úmido (depois de chuva) ou perto de líquidos e gases inflamáveis. O local de trabalho tem de se manter bem iluminado.

## Conhecimento da ferramenta eléctrica

1. Manípulo
2. Interruptor
3. Tampa
4. Suporte para filtros
5. Flutuador
6. Fivelas
7. Contentor
8. Fixação da mangueira
9. 2 pequenos rodízios de rolete
10. Mangueira conjunto
11. Tubo de plástico
12. Abertura para bombagem de ar
13. Bocal para revestimentos de chão duros
14. Saco de poeira
15. Bocal estreito para juntas e fissuras
16. Fundamentos para os rodízios de rolete
17. Encaixe de fivela
18. Lugar de fixação de acessórios
19. Filtro de espuma
20. 2 grandes rodízios
21. Filtro de pregas de poliéster
22. Filtro de limpeza a seco
23. Gancho para enrolar o cabo

### DESEMBALAGEM

De acordo com as tecnologias de fabrico geralmente aprovadas, é pouco provável o aparelho eléctrico recém-adquirido por Você ser defeituoso ou lhe faltar algumas das peças. Mesmo assim, se reparar qualquer falta, não trabalhe com o aparelho até que a peça defeituosa não for substituída ou o defeito existente não for reparado. O incumprimento desta recomendação pode levar a um grave acidente laboral.

Desembale cuidadosamente o conteúdo da caixa.

1. Pegue nas duas fivelas (6) que sustêm a tampa (3) e dobre-os para cima (Fig.1)

2. Afrouxe as fivelas, retire a tampa (Fig.2) e esvazie o conteúdo do contentor.

Favor de verificar a presença de todas as peças da lista acima e de que as mesmas não sofreram danos durante o transporte.

### ENSAMBLAGEM

- Pegue nas duas fivelas que sustêm a tampa e dobre-os para cima (Fig.1)
- Afrouxe as fivelas e levante a tampa para cima e para fora (Fig.2)
- Vire o contentor para baixo sobre uma superfície plana.
- Fixe os fundamentos (16) dos pequenos rodízios (9) sobre o contentor com parafusos (Fig.3)
- Fixe os pequenos rodízios da frente (9) sobre os seus fundamentos (16), apertando-os (Fig.4).
- Fixe os grandes rodízios traseiros, montados junto com os fundamentos (20), sobre o contentor com parafusos.
- Sobre os rodízios há marcação (L e R) para a montagem à esquerda (L) e à direita (R).
- Coloque o contentor na posição normal.
- Coloque o filtro apropriado para o trabalho que vai realizar
- Coloque de novo a tampa sobre o contentor
- Alinhe a tampa com as fivelas.
- Prenda as fivelas à tampa e aperte-as para baixo até ouvir o cliques
- Coloque o extremo largo da mangueira (10) sobre a abertura de aspiração da frente (8) do contentor (Fig.5). O dente do bico da mangueira tem de coincidir com o canal da abertura de entrada. Dobre o bico no sentido marcado por seta.
- Escolha bocal apropriado *e/* ou o tubo *e* coloque-os sobre a mangueira (10). (Fig.6)
- Depois de terminar o trabalho e limpar a ferramenta, guarde os acessórios pendurando-os nos respectivos dispositivos fixadores do aspirador (Fig.7)

## Instruções para o trabalho

Estas ferramentas eléctricas alimentam-se só por tensão monofásica variável e têm de se ligar aos contactos com braçadeiras de segurança.

As interferências de rádio correspondem à Directriz de compatibilidade electromagnética.

### ANTES DE COMEÇAR O TRABALHO

- Verifique se a tensão da rede eléctrica corresponde à que está indicada sobre a chapa com os dados técnicos da ferramenta eléctrica.
- Assegure-se da perfeição do cabo de alimentação e da ficha de tomada. Se o cabo de alimentação está danificado, a sua substituição tem de se fazer pelo fabricante ou por especialista de serviço autorizado por ele para evitar os perigos decorrentes dessa operação.
- Leia, compreenda e observe as indicações do ponto

“Instruções para a segurança do trabalho com aspiradores”

## LIMPEZA A SECO



**ADVERTÊNCIA:** Não se admite limpeza de substâncias nocivas à saúde.



**ADVERTÊNCIA:** Não se admite aspiração de líquidos tendo sido montados os filtros de limpeza a seco.

Para a limpeza a seco usam-se os seguintes elementos filtrantes:

- O filtro de limpeza a seco (22) e o saco da poeira (14) podem ser usados juntos ou por separado. Quando se usam juntos, aumenta o efeito da filtração.
- O filtro de pregas (21) e o saco da poeira (14) podem ser usados juntos ou por separado. Quando se usam por separado, a eficiência do filtro de pregas é muito maior em relação ao saco da poeira.

Eficiência da filtração:

Filtro de pregas – alta

Filtro de limpeza a seco – média

Saco de poeira – baixa.

- Convença-se de que a ferramenta não está conectada à rede alimentadora.
- Convença-se de que o contentor (7) está limpo e seco.

### Filtro de limpeza a seco

Monte o filtro de limpeza a seco (22) sobre o suporte para filtros (4). (Fig. 8)

### Filtro de pregas

Coloque o filtro de pregas sobre o suporte para filtros (4) (Fig 9) . Feche o suporte para filtros (4) com a tampa fixadora dobrando-a. Depois dum uso prolongado, o filtro tem de se limpar agitando-o ou escovado-o.

Ao limpar concreto ou outros materiais similares que emanam poeira fina, o filtro de pregas tem de ser escovado e agitado mais frequentemente. Isto constitui uma premissa importante para a segurança do trabalho e a longevidade do Seu aspirador. Caso tenha reparado que a força da aspiração tenha diminuído, ou o filtro de pregas esteja danificado, tem de o substituir imediatamente por novo.

### Saco de poeira

- Enfie o saco da poeira sobre a abertura de adesão da mangueira (Fig.10) do lado interno do contentor. Aperte bem até se afundar com um clique (Fig.11). Enquanto fizer isto, procure não danificar o saco da poeira.

O uso de saco de poeira impróprio anula a garantia. Revise regularmente o saco da poeira (14) e substitua-o quando ficar cheio até aos 2/3 da sua capacidade.

O saco foi concebido de modo que o papel deixa passar só o ar, mas não a poeira.

Por esta razão o saco usado não pode ser usado por segunda vez.

- Não use o saco da poeira para aspirar objectos de bordas afiadas ou objectos molhados.
- Coloque de novo a tampa sobre o contentor e feche as fivelas
- Coloque o extremo largo da mangueira sobre a abertura de aspiração da frente do contentor.
- Escolha bocal apropriado (13,15) ou o tubo (11) e ligue-os com a mangueira (10)
- Convença-se de que o interruptor (2) da ferramenta fica na posição de desligado “0”, antes de meter a ficha do cabo alimentador na rede.
- Meta a ficha no contacto.
- Ligue o motor eléctrico (o interruptor encontra-se na posição “I”)
- Depois de terminar a limpeza, desligue o motor eléctrico posicionando o interruptor (2) na posição de desligado “0”.
- Retire a ficha da rede de contacto.

## LIMPEZA A MOLHADO



**ADVERTÊNCIA:** Não se admite limpeza de substâncias nocivas à saúde.

- Convença-se de que a ficha do cabo alimentador ferramenta não está conectada à rede alimentadora.
- Verifique se o contentor (7) foi esvaziado da poeira e do lixo..
- Retire o filtro de pregas montado na fábrica (21) que não é apropriado para limpeza a molhado.
- Retire o saco da poeira (14) e o filtro de limpeza a seco (22), se antes disso tem trabalhado com eles
- Coloque o filtro de espuma (19) (Fig.12) sobre o suporte para filtros.
- Coloque de novo a tampa sobre o contentor e feche as fivelas.
- Coloque o extremo largo da mangueira sobre a abertura de aspiração da frente do contentor.
- Escolha bocal apropriado (13,15) ou o tubo (11) e ligue-os com a mangueira (10)
- Convença-se de que o interruptor (2) da ferramenta fica na posição de desligado “0”, antes de meter a ficha do cabo alimentador na rede.
- Meta a ficha do cabo alimentador na rede de contacto
- Coloque o interruptor (2) na posição “I” para ligar o motor eléctrico.
- Depois de terminar a limpeza, desligue o motor eléctrico posicionando o interruptor (2) na posição de desligado “0”.
- Retire a ficha da rede de contacto.
- Depois de terminar o trabalho, esvazie e limpe o contentor (7)

**Recomendação:** Quando for necessário aspirar grande quantidade de líquido dum lavatório ou tanque, não meta o bocal inteiro no líquido, mas deixe uma parte dele livre para garantir a aspiração de ar junto com o líquido.

A ferramenta está provida de flutuador (5) (Fig.13) que desliga o aspirador quando o contentor ficar cheio. Vai compreender que a aspiração tem concluído pelo facto de que as rotações do motor eléctrico vão aumentar. Nesse caso, desligue a ferramenta e retire a ficha do

cabo alimentador da rede.

Tenha em conta que o contentor cheio pode ser muito pesado.

Depois de concluir a limpeza a molhado, desligue a ferramenta e retire a ficha do cabo da rede de contacto.

Esvazie o contentor e limpe-o. Seque-o por dentro e por fora antes de guardá-lo.

**IMPORTANTE!** Depois da limpeza a molhado e antes de proceder para a limpeza a seco, leia as exigências enumeradas no ponto "Limpeza a seco".

## BOMBAGEM DE AR

Retire o gancho de enrolamento do cabo (23). Coloque a parte larga da mangueira na abertura que fica na parte superior traseira do aspirador. O dente do bico tem de coincidir com o canal da abertura de entrada (Fig. 14)



**ADVERTÊNCIA:** Nunca vire o fluxo de ar contra pessoas, animais ou objectos, pois o fluxo que sai pode ser muito quente.

## ACESSÓRIOS

MODELO	VC 1221
Manguera conjunto	•
Tube de plástico de 2 partes	•
Saco da poeira	•
Filtro de limpeza a seco	•
Filtro de espuma	•
Filtro de pregas de celolose	•
Bocal para revestimentos de chão duros	•
Bocal para fissuras	•
Rodizios	2 pequenos + 2 grandes
Fundamentos dos rodizios de rolete	2



**ADVERTÊNCIA:** Use só acessórios originais SPARKY. O uso de peças ou acessórios não originais constitui perigo potencial e anula a garantia.

## Manutenção

- Convença-se de que a ficha do cabo alimentador da ferramenta foi retirada do contacto.
- Retire a mangueira (10) do contentor.
- Abra as fivelas (Fig.1) e retire a tampa do contentor (Fig.2)
- Limpe fundamentalmente o contentor e a mangueira do lixo e dos resíduos acumulados.
- Limpe o filtro de espuma (19) lavando-o com detergente fraco.
- Revise a mangueira e as aberturas de adesão e revise se o cabo alimentador não tem defeitos.
- Depois de retirar o filtro de espuma (19), revise o flutuador (5). Para fazê-lo, pegue na tampa pela manípula e vire-a cuidadosamente de modo que o suporte para filtro aponte para cima. O flutuador tem de se mover livremente para cima e para baixo (Fig.13).



**ADVERTÊNCIA:** Não se admite uso de álcool, gasolina ou outros solventes. Nunca use substâncias corrosivas para limpar as peças de plástico.



**ADVERTÊNCIA:** Não se admite a penetração de água em contacto com a ferramenta eléctrica.

**IMPORTANTE!** Para garantir o trabalho seguro com a ferramenta e a confiança nela, todas as actividades relacionadas com reparação, manutenção e regulação (incluindo a revisão e substituição das escovas) têm de se fazer nas oficinas de serviço autorizadas da SPARKY utilizando só peças de sobresselente originais.

## EVENTUAIS DEFEITOS E A SUA ELIMINAÇÃO

Defeito reparado	Causa provável	Modo de eliminação
A ferramenta não funciona	Falta alimentação.	Revise a tensão alimentadora
	Falha funcional do cabo alimentador, do interruptor, ou do motor eléctrico.	Revise, repare ou substitua a parte avariada
	O contentor está cheio de líquido.	Esvazie o contentor.
Da tampa do motor eléctrico sai poeira	Falta ou tem defeitos o saco da poeira / o filtro de pregas	Coloque o saco da poeira / o filtro de pregas ou substitua-o por novo
Baixa potência da aspiração e elevadas rotações do motor eléctrico / vibrações	O filtro de pregas está congestionado	Substitua o filtro de pregas
	O bocal, a mangueira ou o contentor está congestionado	Revise o bocal, a mangueira e o contentor

## Garantia

---

O prazo de garantia das ferramentas SPARKY fica determinado na carta de garantia.

Defeitos aparecidos em consequência do desgaste natural, sobrecarga ou exploração incorrecta ficam excluídos dos deveres de garantia.

Defeitos aparecidos em consequência do uso de materiais de má qualidade ou erros de produção eliminam-se sem pagamento adicional mediante substituição ou reparação.

A reclamação por ferramenta defeituosa da SPARKY reconhece-se só quando ela for devolvida ao fornecedor ou for apresentada na oficina de assistência autorizada no estado inicial (não desmontado).

## Observações

---

Leia atentamente toda a instrução antes de iniciar o trabalho com este artigo.

O fabricante reserva-se o direito de introduzir melhorias e alterações nos seus artigos e de modificar as especificações sem prévia advertência.

As especificações podem ser diferentes para os diferentes países.



## Spis treści

Wstęp .....	47
Dane techniczne .....	49
Instrukcja bezpieczeństwa przy pracy odkurzaczami .....	49
Opis urządzenia .....	51
Użytkowanie .....	51
Obsługa i konserwacja .....	53
Gwarancja .....	54

## Wstęp

Zakupione przez Państwa urządzenie elektryczne marki SPARKY spełni nawet najbardziej wygórowane oczekiwania użytkownika. Zostało ono wyprodukowane z zachowaniem rygorystycznych norm jakościowych SPARKY, aby zagwarantować doskonale parametry pracy. Przekonają się Państwo, że Wasze nowe urządzenie elektryczne jest łatwe i bezpieczne w obsłudze i przy zachowaniu odpowiednich zasad użytkowania, będzie Wam niezawodnie służyć przez wiele lat.



### OSTRZEŻENIE:

Przed przystąpieniem do eksploatacji zakupionego przez Państwa urządzenia elektrycznego SPARKY należy uważnie zapoznać się z całością niniejszej Oryginalnej instrukcji obsługi. Ze szczególną uwagą należy traktować ostrzeżenia. Urządzenie elektryczne SPARKY posiada wiele cech, które przyspieszą i ułatwią wykonywaną przez Państwa pracę. Podczas prac nad tym urządzeniem szczególną uwagę poświęcono kwestiom bezpieczeństwa, wydajności i niezawodności, dzięki którym jest ono łatwe w obsłudze.



### Nie wyrzucać produktów elektrycznych razem z odpadami z gospodarstw domowych!

Zużyte artykuły elektryczne nie powinny być wyrzucane wraz z odpadami z gospodarstw domowych. Należy je utylizować w przeznaczonych do tego miejscach. Informacji na temat utylizacji udzielają władze lokalne bądź sprzedawcy.



### OCHRONA ŚRODOWISKA

Utylizując urządzenie, osprzęt i opakowanie należy poddać poszczególne elementy sortowaniu z myślą o ochronie środowiska naturalnego.

Elementy plastikowe zostały odpowiednio oznaczone, aby umożliwić utylizację według odpowiedniej klasyfikacji odpadów.

## OPIS STOSOWANYCH SYMBOLI

Tabliczka znamionowa na urządzeniu może zawierać symbole graficzne. Przedstawiają one ważne informacje o produkcie lub instrukcje obsługi.



Podwójna izolacja



Odkurzacze na mokro



Zgodny z odpowiednimi dyrektywami europejskimi



Spełnia wymagania przepisów Unii Celnej.



Zgodny ze standardami ukraińskimi



Zapoznać się z instrukcją obsługi

YYYY-Www

Okres produkcji, w którym zmiennymi symbolami są:  
YYYY - roku produkcji, ww – tydzień kalendarzowy

VC

ODKURZACZ WARSZTATOWY

## Dane techniczne

<b>Model</b>	<b>VC 1221</b>
▪ Moc wejściowa	1250 W
▪ Maksymalna moc ssania	1500 W
▪ Pojemność zbiornika	20 l
▪ Materiał zbiornika	Plastik
▪ Pojemność worka	20 l
▪ Maksymalna siła ssania (podciśnienie)	18 kPa
▪ Maksymalny przepływ powietrza	55 l/s
▪ Przepływ powietrza wg EN 60312	27 l/s
▪ Funkcja odkurzania na mokro	Tak
▪ Regulacja siły ssącej na uchwycie	Nie
▪ Średnica węża	Ø36 mm
▪ Długość węża	1,5 m
▪ Długość przewodu	4 m
▪ Promień pracy	6 m
▪ Ciężar (wg EPTA, procedura 01/2014)	4,5 kg
▪ Stopień ochrony	IP X4
▪ Klasa bezpieczeństwa	□ / II
▪ <b>Emisja hałasu</b> (wartości mierzone określono wg EN 60704-1)	
Skorygowany charakterystyką częstotliwościową A poziom ciśnienia akustycznego emisji na stanowisku pracy L <sub>DA</sub>	75,6 dB(A)
Skorygowany charakterystyką częstotliwościową A poziom mocy akustycznej emisji na stanowisku pracy L <sub>WA</sub>	88,7 dB(A)



Stosować środki ochrony słuchu!

## Instrukcja bezpieczeństwa przy pracy odkurzaczami

- Niniejszy odkurzacz nie jest przewidziana do użytkowania przez dzieci lub osoby ograniczone fizycznie, emocjonalnie, lub psychicznie, a także przez osoby z niewystarczającym doświadczeniem i/lub niedostateczną wiedzą.
- Niniejszy odkurzacz może być używany przez dzieci w wieku powyżej 8 lat, przez osoby o ograniczonych zdolnościach fizycznych, zmysłowych lub umysłowych, bądź przez osoby bez doświadczenia i wiedzy, jeśli pracują pod nadzorem lub po ich poinstruowaniu na temat pracy bezpiecznej narzędziem oraz zdające sprawę z możliwych zagrożeń. Dzieci nie powinny bawić się odkurzaczem. Czyszczenie oraz konserwacja odkurzacza nie może odbywać się przez dzieci bez nadzorem.



**OSTRZEŻENIE:** Urządzenie to jest zgodne z obowiązującymi przepisami bezpieczeństwa i higieny pracy dla urządzeń elektrycznych. Aby ograniczyć ryzyko doznania obrażeń, użytkownik winien przeczytać instrukcję obsługi. Należy zapoznać się z całością instrukcji. Niezastosowanie się do wszystkich wskazówek podanych poniżej może spowodować obrażenia ciała i/lub powstaniem szkód w mieniu i, w rezultacie, będzie skutkowało utratą ważności gwarancji.

**Zachować niniejszą instrukcję w celu korzystania z niej w przyszłości!**



**OSTRZEŻENIE:** Upewnij się, że napięcie zasilania odpowiada wartości wskazanej na tabliczce znamionowej zawierającej dane techniczne urządzenia.

- W przypadku wątpliwości, nie podłączać urządzenia do źródła zasilania.
- Źródło zasilania o napięciu przekraczającym wartość określoną dla tego urządzenia może spowodować poważne obrażenia użytkownika, jak również uszkodzenie urządzenia.

- Używanie źródła zasilania o napięciu niższym niż wartość określona na tabliczce znamionowej jest szkodliwe dla silnika urządzenia.
- Urządzenie to jest przeznaczone do zbierania materiału, który nie stanowi zagrożenia dla zdrowia operatora oraz nie jest łatwopalny.
- Urządzenie nadaje się do użytku domowego i przemysłowego.
- Nie używać urządzenia do prac poza pomieszczeniami (chyba, że jest specjalnie przystosowane do prac na zewnątrz).
- Nie wystawiać urządzenia do działania wysokich temperatur, bezpośrednie działanie promieni słonecznych bądź wysoką wilgotność (np. deszcz).
- Nigdy nie zanurzać urządzenia w cieczach oraz uważać na ostre krawędzie, które mogą spowodować jego uszkodzenie.
- Nigdy nie obsługiwać urządzenia mokrymi lub wilgotnymi rękami. Natychmiast odłączyć urządzenie od źródła zasilania, jeśli podczas pracy ulegnie zmoczeniu lub zawilgoceniu. Nie zanurzać urządzenia w wodzie.
- Używając odkurzacza w wilgotnym otoczeniu korzystać z zasilania zabezpieczonego wyłącznikiem różnicowoprądowym. Zastosowanie wyłącznika różnicowoprądowego zmniejsza ryzyko porażenia prądem.
- Urządzenie to wino być eksploatowane wyłącznie zgodnie z jego przeznaczeniem. Jakiegokolwiek użytkowanie wykraczające poza zastosowanie opisane w niniejszej Instrukcji będzie uważane za przypadek niewłaściwego użycia. Odpowiedzialność za takie niewłaściwe użycie spada na użytkownika a nie na producenta.
- Nigdy nie trzymać złączy w pobliżu twarzy (szczególnie oczu, uszu, itp.). Nigdy nie kierować dyszy w stronę ludzi lub zwierząt.
- Przed korzystaniem z urządzenia upewnić się, że odpowiedni worek został właściwie zamocowany w uchwyty. Zastosowanie nieodpowiedniego worka bądź niewłaściwe założenie worka może skutkować uszkodzeniem urządzenia i spowodować utratę ważności gwarancji.
- Nie zbierać odkurzaczem popiołu, gorących węgli i temu podobnych, dużych kawałków szkła i ostrych przedmiotów.
- Nie zbierać pyłu z tonerów, używanych na przykład w drukarkach i kopiarkach, ponieważ przewodzi on prąd elektryczny. Ponadto istnieje możliwość, że nie zostanie on całkowicie przefiltrowany przez system filtrowania odkurzacza do pracy na mokro i sucho i może zostać uwolniony do powietrza przez wentylator wyciągowy.
- Nigdy nie zbierać odkurzaczem palnych bądź trujących cieczy, jak benzyna, olej, kwas, a także innych substancji lotnych.
- Nie zbierać cieczy rozgrzanych do temperatury powyżej 60°C, ani jakichkolwiek toksycznych lub łatwopalnych pyłów.
- Nigdy nie zbierać azbestu lub pyłu azbestowego.
- Nigdy nie kłaść urządzenia na boku. Szczególnie uważać na utrzymanie urządzenia w pionie i zachowanie stabilnej pozycji podczas pracy na schodach.



**OSTRZEŻENIE:** Należy zawsze wyłączyć urządzenie i odłączyć je od źródła zasilania po zakończeniu pracy, przed czyszczeniem, wymianą filtrów lub oprzyrządowania, przenoszeniem lub pozostawieniem w miejscu przechowywania. Nie wyciągać wtyczki z gniazdka pociągając za przewód. Wymontować wszystkie akcesoria z urządzenia przed pozostawieniem go w miejscu przechowywania.

- Trzymać odkurzacz z dala od źródeł wysokiej temperatury.
- Nigdy nie pozostawiać urządzenia włączonego bądź bez nadzoru. Opuszczając miejsce pracy, należy wyłączyć urządzenie i odłączyć je z gniazda (nie ciągnąć za przewód, ale wyciągnąć wtyczkę).
- Nigdy nie używać urządzenia pod wpływem leków, alkoholu bądź narkotyków, będąc w trakcie leczenia lub czując zmęczenie.
- Należy upewnić się, że osoby postronne nie potkną się o przewód oraz chronić dzieci przed dostępem do urządzenia.
- Regularnie sprawdzać urządzenie elektryczne oraz przewód zasilający pod kątem nienagannego stanu technicznego. Nie korzystać z wadliwych urządzeń elektrycznych.
- W przypadku uszkodzenia przewodu zasilania, jego wymianę należy powierzyć autoryzowanemu centrum serwisowemu SPARKY.
- Unikać dokonywania napraw urządzenia na własną rękę. Naprawa urządzeń elektrycznych może być dokonywana jedynie przez wykwalifikowanych techników w autoryzowanym centrum serwisowym SPARKY, z wykorzystaniem oryginalnych części zamiennych. Niewłaściwie przeprowadzona naprawa stanowi znaczne zagrożenie dla operatora.
- Korzystać z oryginalnych części zamiennych i oprzyrządowania SPARKY. Używanie niezatwierdzonych części lub akcesoriów może stanowić potencjalne źródło zagrożenia i spowoduje utratę ważności gwarancji.
- Należy często kontrolować stan pływaka.
- W przypadku stwierdzenia wycieku z urządzenia, natychmiast wyłączyć je i odłączyć od źródła zasilania.
- Nie umieszczać urządzenia w wodzie. Nie dopuszczać do rozlania wody na urządzenie.
- Usuwając brudną wodę, należy przestrzegać wszelkich obowiązujących przepisów.
- Przechowywać urządzenie wyłącznie w bezpiecznym i suchym miejscu, niedostępnym dla dzieci.
- Należy zawsze utrzymywać urządzenie w czystości. Do czyszczenia nie używać żadnych rozpuszczalników bądź środków czyszczących zawierających rozpuszczalniki.

Prosimy szczególnie uważnie zapoznać się z poniższymi „Specjalnymi informacjami dotyczącymi bezpieczeństwa”

#### **SPECJALNE INFORMACJE DOTYCZĄCE BEZPIECZENSTWA**

- Nigdy nie zbierać gorącego popiołu, zaostzonych ani ostrych przedmiotów.

- Nigdy nie korzystać z urządzenia w zawilgoconych pomieszczeniach.
- Korzystając z urządzenia uważać, aby do jego wnętrza nie zostały wciągnięte włosy, części ubioru lub inne przedmioty.
- Trzymać odkurzacz z dala od źródeł wysokiej temperatury, takich jak grzejniki, kuchenki, itp.
- Aby właściwie użytkować to urządzenie elektryczne, należy przestrzegać przepisów bezpieczeństwa, instrukcji montażu i instrukcji obsługi zawartych w niniejszej Instrukcji. Wszyscy użytkownicy urządzenia winni zapoznać się z treścią niniejszej Instrukcji, a także uzyskać informacje na temat potencjalnych zagrożeń istniejących podczas pracy z urządzeniem elektrycznym.
- To urządzenie nie jest przeznaczone do użytkowania przez osoby (w tym dzieci) o ograniczonej sprawności fizycznej lub psychicznej bądź nieposiadające doświadczenia i wiedzy, o ile osoby takie nie są nadzorowane bądź nie zostały przeszkolone pod kątem użytkowania urządzenia przez osobę odpowiedzialną za ich bezpieczeństwo.
- Należy zapewnić nadzór nad dziećmi, aby nie bawiły się urządzeniem.
- Producent nie ponosi odpowiedzialności za jakiegokolwiek modyfikacje urządzenia, ani za jakiegokolwiek szkody powstałe w wyniku takich modyfikacji.
- Urządzeń elektrycznych nie wolno używać poza pomieszczeniem w warunkach padającego deszczu bądź wilgotnym otoczeniu (po deszczu), lub też w pobliżu palnych cieczy i gazów. Miejsce pracy powinno być dobrze oświetlone

## Opis urządzenia

1. Uchwyt
2. Wyłącznik
3. Część górna
4. Kosz na filtry
5. Pływak
6. Zaciski
7. Zbiornik
8. Gniazdo do podłączenia węża
9. 2 kółka
10. Wąż
11. Rura plastikowa
12. Podłączenie nadmuchu
13. Dysza podłogowa
14. Worek na pył
15. Dysza szczelinowa
16. Obsadki kółek
17. Gniazdo z kłamrą
18. Uchwyt na akcesoria
19. Filtr piankowy
20. 2 koła
21. Filtr wielorazowy PET
22. Filtr suchy
23. Hak na przewód zasilający

## ROZPAKOWYWANIE

Ze względu na nowoczesne metody produkcji masowej, istnieje niewielkie prawdopodobieństwo, iż zakupione

przez Państwa urządzenie elektryczne jest wadliwe, bądź niekompletne. W przypadku stwierdzenia jakiegokolwiek nieprawidłowości, nie uruchamiać urządzenia do chwili wymiany części lub usunięcia usterki. Niezastosowanie się do tego zalecenia może skutkować poważnym uszkodzeniem ciała.

Ostrożnie rozpakować zawartość pudła.

1. Przytrzymać dwa zaciski (6) mocujące część górną (3) i odciągnąć je ku górze. (Ryc. 1)
2. Poluzować zaciski, zdejmując część górną (Ryc. 2) i wyjąć zawartość ze zbiornika.

Korzystając z powyższej listy, sprawdzić, czy są wszystkie części zestawu oraz czy podczas transportu nie doszło do uszkodzeń.

## MONTAŻ

- Uchwycić dwa zaciski (6) mocujące część górną (3) i odciągnąć je ku górze. (Ryc. 1)
- Poluzować zaciski, zdejmując część górną. (Ryc. 2)
- Obrócić zbiornik do góry nogami stawiając go na stabilnej, równej i czystej powierzchni.
- Przykręcić obsadki (16) kółek (9) do zbiornika za pomocą śrub. (Ryc. 3)
- Wcisnąć kółka (9) w obsadki (16). (Ryc. 4)
- Przykręcić zamontowane w obsadkach tylne koła (20) do zbiornika za pomocą śrub. Koła oznaczono literami L i R) do montażu, odpowiednio, po stronie lewej (L) i prawej (R).
- Postawić zbiornik w normalnej pozycji.
- Włożyć odpowiedni do wykonywanej pracy filtr.
- Umieścić część górną z powrotem na zbiorniku.
- Dopasować położenie części górnej do położenia zacisków.
- Nałożyć zaciski na część górną i zacisnąć je ku dołowi, aż usłyszysz wyraźny trzask.
- Włożyć większą końcówkę węża (10) do gniazda (8) w przedniej części zbiornika (Ryc. 5). Dopasować łącznik do podłączenia węża do rowków w gnieździe w przedniej części zbiornika. Obrócić łącznik do podłączenia węża w kierunku pokazanym przez strzałkę.
- Wybrać odpowiednią dyszę i/lub wąż i zamocować je na wężu (1). (Ryc. 6)
- Po zakończeniu odkurzania i oczyszczeniu urządzenia, umieścić akcesoria w odpowiednich uchwytach (18). (Ryc. 7)

## Użytkowanie

Dostarczone urządzenia elektryczne są zasilane wyłącznie z sieci dostarczającej prąd zmienny jednofazowy. Odkurzacze muszą być podłączone do gniazd z uzziemieniem. Dostarczone urządzenia elektryczne spełniają wymagania odnośnie zakłóceń radioelektrycznych zgodnie z dyrektywą EMC.

## PRZED PRZYSTĄPIENIEM DO PRACY

- Upewnić się, że napięcie zasilania odpowiada wartości wskazanej na tabliczce znamionowej zawierającej dane techniczne urządzenia.
- W przypadku uszkodzenia przewodu zasilania, należy, w celu uniknięcia zagrożenia bezpieczeństwa

użytkowania, dokonać jego wymiany na specjalny przewód lub podzespół dostępny u producenta lub jego przedstawiciela zajmującego się serwisowaniem urządzeń.

- Należy bezwzględnie przeczytać, zrozumieć i przestrzec treści rozdziału zatytułowanego „Zasady bezpieczeństwa dotyczące użytkowania odkurzaczy”.

## ODKURZANIE NA SUCHO



**OSTRZEŻENIE:** Nigdy nie zbierać niebezpiecznych materiałów.



**OSTRZEŻENIE:** Odkurzanie na mokro z zamontowanymi elementami filtrującymi przeznaczonymi do pracy na sucho jest bezwzględnie zabronione.

Do odkurzania na sucho używane są następujące elementy filtrujące:

a) Filtr suchy (22) i worek na pył (14) mogą być używane osobno lub razem. W przypadku używania ich razem, uzyskuje się zwiększoną skuteczność filtrowania.

b) Filtr wielorazowy (21) i worek na pył (14) mogą być używane osobno lub razem. W przypadku używania ich osobno, wydajność filtra kasetowego jest o wiele większa niż wydajność worka na pył.

Skuteczność filtrowania:

Filtr wielorazowy – wysoka

Filtr suchy – średnia

Worek na pył – mała

- Upewnić się, że urządzenie nie jest podłączone do źródła zasilania.
- Upewnić się, że zbiornik (7) jest czysty i suchy.

### Filtr suchy

Umieścić filtr suchy (22) na koszu na filtry (4). (Ryc. 8)

### Filtr wielorazowy

Umieścić filtr wielorazowy na koszu na filtry (4) (Ryc. 9) i zamknąć kosz na filtry za pomocą nakrętki. Po długotrwałym użytkowaniu filtr wielorazowy należy oczyścić odstukując i szczotkując go.

Podczas odkurzania betonu bądź podobnych materiałów wytwarzających drobny pył, należy szczotkować i otrzepywać filtr wielorazowy z większą częstotliwością. Jest to ważny warunek niezawodnej pracy i żywotności odkurzacza. W przypadku zaobserwowania, że siła ssania zmniejsza się, bądź stwierdzenia uszkodzenia filtra kasetowego, należy niezwłocznie wymienić go na nowy.

### Worek na pył

- Przesunąć kołnierzyk worka na pył przez gniazdo do podłączenia węża (Ryc. 10) po wewnętrznej stronie zbiornika. Nacisnąć, aż wskoczy na miejsce (Ryc. 11) uważając, aby nie uszkodzić worka.

Użycie nieodpowiedniego worka na pył powoduje utratę gwarancji.

Regularnie kontrolować worek na pył (14) i wymienić go, gdy jest napełniony w 2/3. Worek jest zbudowany w taki sposób, że papier przepuszcza jedynie powietrze, zatrzymując pył. Dlatego też zużyty worek na pył nie może

być ponownie wykorzystany.

Nie używać odkurzacza do zbierania przedmiotów o ostrych krawędziach i mokrych przedmiotów.

- Umieścić część górną z powrotem na zbiorniku i zamknąć zaciski.
- Nalożyć dużą końcówkę węża na króciec wlotu powietrza umieszczony w przedniej części zbiornika.
- Wybrać żądaną dyszę (13, 15) bądź rurę (11); połączyć ją z wężem (10) i połączyć końcówkę węża z króćcem wlotu powietrza na urządzeniu.
- Przed włożeniem wtyczki przewodu zasilania do gniazdka upewnić się, że wyłącznik (2) urządzenia znajduje się w pozycji „O” (wyłączone).
- Włożyć wtyczkę przewodu zasilania do gniazdka.
- Włączyć silnik (wyłącznik w pozycji „I”).
- Po zakończeniu odkurzania, wyłączyć silnik przestawiając wyłącznik (2) w pozycję „O” (wyłączone).
- Odłączyć odkurzacz od źródła zasilania.

## ODKURZANIE NA MOKRO



**OSTRZEŻENIE:** Nigdy nie zbierać niebezpiecznych materiałów.



**OSTRZEŻENIE:** Odkurzanie na mokro z zamontowanymi elementami filtrującymi przeznaczonymi do pracy na sucho jest bezwzględnie zabronione.

- Upewnić się, że urządzenie nie jest podłączone do źródła zasilania.
- Sprawdź czy zbiornik (7) jest wolny od pyłu i zanieczyszczeń.
- Urządzenie jest fabrycznie wyposażone w filtr wielorazowy. Wyjąć filtr wielorazowy (21), który nie jest odpowiedni do odkurzania na mokro.
- Wyjąć worek na pył (14) oraz filtr suchy (22), jeśli były używane przed przystąpieniem do odkurzania na mokro.
- Umieścić filtr piankowy (19) (Ryc. 12) na koszu na filtry.
- Umieścić część górną z powrotem na zbiorniku i zamknąć zaciski.
- Nalożyć dużą końcówkę węża na on króciec wlotu powietrza umieszczony w przedniej części zbiornika.
- Wybrać żądaną dyszę (13, 15) bądź rurę (11) i umieścić je na wężu (10).
- Przed podłączeniem urządzenia do źródła zasilania upewnić się, że wyłącznik (2) urządzenia znajduje się w pozycji „O” (wyłączone).
- Włożyć wtyczkę do gniazdka.
- Włączyć silnik przestawiając wyłącznik (2) w pozycję „I”.
- Po zakończeniu odkurzania, wyłączyć silnik przestawiając wyłącznik (2) w pozycję „O” (wyłączone).
- Odłączyć odkurzacz od źródła zasilania.
- Po użyciu opróżnić i osuszyć zbiornik (7).

**Porada:** Zbierając duże ilości cieczy ze zlewu bądź zbiornika, nie zanurzać całej dyszy ssącej w cieczy, ale pozostawić trochę miejsca, aby odkurzacz miał możliwość wciągania także pewnej ilości powietrza wraz ze zbieraną cieczą.

Urządzenie jest wyposażone w pływak (5) (Ryc. 12), który zatrzymuje pracę odkurzacza w chwili, gdy zbiornik jest wypełniony. Brak siły ssania sygnalizuje zauważalna szybsza praca silnika. W takim przypadku należy wyłączyć urządzenie i odłączyć je od źródła zasilania. Należy pamiętać, że pełen zbiornik może być bardzo ciężki.

Po zakończeniu odkurzania na mokro, wyłączyć urządzenie i odłączyć je od źródła zasilania. Opróżnić zbiornik i oczyścić/osuszyć go od wewnątrz i na zewnątrz przed pozostawieniem go w miejscu przechowywania

## FUNKCJA NADMUCHU

Usunąć górny hak (23) na zwinięcie przewodu zasilającego. Włożyć dużą końcówkę węża do otworu znajdującego się z tyłu części górnej odkurzacza. Dopasować łącznik do podłączenia węża do rowków w łączniku nadmuchu. (Ryc.14)



**OSTRZEŻENIE:** Nigdy nie kierować strumienia powietrza w stronę ludzi, zwierząt bądź przedmiotów, gdyż powietrze wychodzące może być nagrzane do wysokiej temperatury.

## AKCESORIA I OPRZYRZĄDOWANIE

MODEL	VC 1221
Wąż	•
Dwuczęściowa rura plastikowa	•
Worek na pył	•
Filtr suchy	•
Filtr piankowy	•
Filtr celulozowy	•
Dysza podłogowa	•
Dysza szczelinowa	•
Koła i kółka	2 wheels + 2 castors
Obsadki kółek	2



**OSTRZEŻENIE:** Korzystać wyłącznie z oryginalnego oprzyrządowania SPARKY. Używanie nieoryginalnych części zamiennych lub akcesoriów stanowi potencjalne źródło zagrożenia i powoduje utratę ważności gwarancji.

## Obsługa i konserwacja

- Upewnić się, że urządzenie nie jest podłączone do sieci zasilania.
- Wyjąć wąż ssący ze zbiornika.
- Zwolnić zaciski (Ryc. 1) i zdjąć część górną ze zbiornika. (Ryc. 2)
- Oczyszczyć zbiornik i wąż ze wszelkich zabrudzeń, osadów i pozostałości.
- Oczyszczyć filtr piankowy (19) myjąc go łagodnym środkiem czyszczącym.
- Sprawdzić wąż i podłączenia oraz skontrolować przewód zasilający pod kątem ewentualnych uszkodzeń.
- Przy wyjmowaniu filtra piankowego (19) sprawdźc pływak (5). Aby to uczynić, zdjąć część górną za pomocą uchwytu i ostrożnie obrócić w ten sposób, aby kosz na filtry był skierowany ku górze. Pływak powinien swobodnie przemieszczać się w górę i w dół. (Ryc. 13)



**OSTRZEŻENIE:** Nigdy nie używać alkoholu, benzyny bądź innego detergentu. Nigdy nie używać środków żrących do czyszczenia elementów plastikowych.



**OSTRZEŻENIE:** Nie można dopuścić do kontaktu narzędzia z wodą.

**WAŻNE!** Aby zapewnić bezpieczeństwo i niezawodność produktu, naprawy, konserwacja i regulacja powinny być wykonywane przez autoryzowane centra serwisowe SPARKY bądź inne kompetentne podmioty świadczące tego typu usługi, zawsze przy użyciu oryginalnych części zamiennych.

## POSTĘPOWANIE W PRZYPADKU WYSTĄPIENIA PROBLEMÓW

Problem	Prawdopodobna przyczyna	Działanie zaradcze
Urządzenie nie działa.	Brak zasilania.	Sprawdzić zasilanie.
	Usterka funkcjonalna przewodu zasilającego, wyłącznika lub silnika.	Sprawdzić, naprawić bądź wymienić uszkodzoną część.
	Zbiornik jest wypełniony cieczą.	Opróżnić zbiornik.
Spod osłony silnika wydobywa się pył.	Brak bądź uszkodzenie worka na pył/filtra poliestrowego.	Umieścić bądź wymienić worek na pył/filtr poliestrowy.
Spadek mocy ssania i szybsza praca silnika / wibracje	Zapchany filtr poliestrowy.	Wymienić filtr poliestrowy.
	Zapchana dysza, wąż lub zbiornik.	Skontrolować dyszę, wąż lub zbiornik.

## Gwarancja

Okres gwarancji urządzeń elektrycznych SPARKY jest określony na karcie gwarancyjnej.

Usterki wynikające z normalnego zużycia, przeciążenia lub niewłaściwego obchodzenia się nie będą podlegać gwarancji.

Usterki wynikające z zastosowania wadliwych materiałów, jak również wady w wykonawstwie będą usuwane bezpłatnie poprzez wymianę bądź naprawę.

Reklamacje odnoszące się do wadliwych urządzeń elektrycznych SPARKY będą uznawane pod warunkiem odesłania urządzenia do sprzedawcy bądź dostarczenia go do autoryzowanego centrum serwisowego zajmującego się obsługą gwarancyjną urządzeń, w postaci niezdemontowanej, w stanie pierwotnym.

## Uwagi

Prosimy uważnie zapoznać się z całością Instrukcji obsługi przed przystąpieniem do użytkowania tego produktu.

Producent zastrzega sobie prawo dokonywania zmian wyposażenia i danych technicznych bez uprzedniego powiadomienia.

Wyposażenie i dane techniczne mogą się różnić w zależności od kraju.



## Содержание

Введение.....	55
Технические данные.....	57
Инструкции по безопасности при использовании пылесоса .....	57
Знакомство с электроприбором .....	59
Указания по работе.....	59
Обслуживание.....	61
Гарантия.....	62

## Введение

Приобретенный Вами электроприбор SPARKY превзойдет все Ваши ожидания. Пылесос изготовлен в соответствии с высокими стандартами качества SPARKY, учитывающих строгие требования потребителей. Пылесос прост в обслуживании и безопасен при эксплуатации. При условии правильного использования этот электроприбор прослужит Вам надежно долгие годы.

### ПРЕДУПРЕЖДЕНИЕ!



Внимательно прочтите весь текст инструкции перед тем, как приступить к использованию нового электроприбора SPARKY. Специальное внимание обратите на тексты, начинающиеся словом **“Предупреждение”**. Ваш электроприбор SPARKY имеет много качеств, которые упростят Вашу работу. При разработке этого электроприбора наибольшее внимание уделено безопасности, эксплуатационным качествам и надежности, упрощающим обслуживание и использование.



### Не утилизируйте электроприборов вместе с бытовыми отходами!

Отработанные электрические изделия не следует утилизировать вместе с бытовыми отходами. Просьба рециклировать электроприборы в предназначенных для этого местах. Свяжитесь с местными властями или их представителем для получения консультации по вопросам рециклирования.

### ОХРАНА ОКРУЖАЮЩЕЙ СРЕДЫ



В целях охраны окружающей среды электроприбор, принадлежности и упаковку следует подвергнуть подходящей переработке для повторного использования содержащегося в них сырья. Для упрощения рециклирования, детали, изготовленные из искусственных материалов, маркированы соответствующим способом.

## ОПИСАНИЕ СИМВОЛОВ

На табличке с данными электроприбора обозначены специальные символы. Они предоставляют важную информацию об изделии или инструкции пользования.



Двойная изоляция для дополнительной защиты



Пылесос для влажной очистки



Соответствует релевантным европейским директивам



Соответствует требованиям правил Таможенного союза



Соответствует требованиям украинским нормативным документам



Ознакомьтесь с инструкцией по эксплуатации

YYYY-Www

Период производства, где переменные символы означают:

YYYY - год производства, ww – очередная календарная неделя

VC

ПЫЛЕСОС ДЛЯ ВЛАЖНОЙ / СУХОЙ ОЧИСТКИ

# Технические данные

<b>МОДЕЛЬ:</b>	<b>VC 1221</b>
▪ Мощность	1250 W
▪ Макс. мощность всасывания	1500 W
▪ Вместимость контейнера	20 l
▪ Материал контейнера	пластмасса
▪ Вместимость мешочков для пыли	20 l
▪ Максимальная сила всасывания	18 kPa
▪ Максимальный дебит	55 l/s
▪ Дебит согласно EN 60312	27 l/s
▪ Всасывание жидкостей	да
▪ Регулирование воздушного потока	нет
▪ Диаметр шланга	Ø36 mm
▪ Длина шланга	1,5 m
▪ Длина шнура	4 m
▪ Радиус зоны работ	6 m
▪ Вес (EPTA процедура 01/2014)	4,5 kg
▪ Степень защиты	IP X4
▪ Класс защиты	□ / II
▪ <b>Уровень шума</b> (показатели замерены согласно EN 60704-1):	
A-взвешенный уровень звуковой нагрузки L <sub>WA</sub>	75,6 dB(A)
A-взвешенный уровень звуковой мощности L <sub>WA</sub>	88,7 dB(A)



Пользуйтесь средствами защиты от шума!

## Инструкции по безопасности при использовании пылесоса

- Это устройство не предназначено для использования детьми и лицами с ограниченными физическими, сенсорными или умственными способностями или недостаточным опытом и знаниями.
- Это устройство могут использовать дети старше 8 лет, лица с ограниченными физическими или умственными и др. способностями или лица без опыта и познаний - под надзором, или инструктированных по технике безопасности при работе, осознающим возможную опасность. Не разрешайте детям играть с этим устройством. Детям не следует без надзора проводить чистку или обслуживание этого устройства.



**ПРЕДУПРЕЖДЕНИЕ:** Электроприбор соответствует обязательным положениям техники безопасности для электрических изделий. Во избежание риска перегрева, потребитель должен прочесть данное руководство по эксплуатации. Следует прочесть все инструкции. Несоблюдение перечисленных ниже инструкций может привести к инциденту и/или повреждению имущества, и аннулировать гарантию.

**Храните настоящую инструкцию для будущего пользования!**



**ПРЕДУПРЕЖДЕНИЕ:** Проверьте соответствие электрического напряжения техническим данным, обозначенным на табличке электроприбора.

- В случае, если Вы не уверены в электрическом напряжении, не включайте электроприбор.
- Напряжение выше номинального может привести к тяжелым травмам потребителя и повредить электроприбор.
- В случае, если напряжение ниже номинального, электродвигатель будет поврежден.

- Электроприбор предназначен для всасывания материалов, не представляющих опасность для здоровья и не возгораемых.
- Электроприбор предназначен для применения в быту и в домашней мастерской.
- Не используйте электроприбор под открытым небом (если он специально не предназначен для работ под открытым небом).
- Не подвергайте электроприбор воздействию тепла, прямого солнечного света, или повышенной влажности (например, дождь).
- Не погружайте электроприбор в жидкости, берегите его от острых кромок, которые могут его повредить.
- Не допускается использование электроприбора мокрыми или влажными руками. Если электроприбор намок во время работы, немедленно выньте штепсель из розетки. Не допускается погружение электроприбора в воду.
- При работе пылесоса во влажной окружающей среде используйте предохранительное устройство, приводимое в действие остаточным током, для того, чтобы выключить электропитание прибора. Использование предохранительного устройства снижает риск поражения электрическим током.
- Электроприбор следует использовать только по назначению. Любое другое применение, отличающееся от описанного в настоящей инструкции, считается неправильным. Ответственность за все поломки или ранения в результате неправильного применения несет потребитель, а не изготовитель.
- Никогда не направляйте отверстия электроприбора к своему лицу (особенно к глазам, ушам и др.). Никогда не направляйте наконечник в сторону людей или животных.
- Перед тем, как приступить к использованию электроприбора, убедитесь в том, что в держатель вставлен и правильно закреплен подходящий мешочек для пыли. неподходящий, или неправильно закрепленный мешочек для пыли может привести к повреждению электроприбора, что аннулирует гарантию.
- Не допускается всасывание пепла, горящих угольков и др., крупных кусков битого стекла и острых предметов.
- Не допускается всасывание пыли, выделяемой тонером для принтера или ксерокса, т.к. тонер является электропроводимым материалом. Кроме того, возможно, что фильтрующая система пылесоса для мокрой/сухой уборки не сможет полностью восать пыль, выделяемую тонером, которая попадет в воздух через вентилятор для выходящего воздуха.
- Не допускается применение пылесоса для уборки возгораемых или ядовитых жидкостей, таких как бензин, нефть, кислоты или другие летучие вещества.
- Не допускается всасывание жидкостей, чья температура превышает 60°C, а также любого другого вида ядовитой или возгораемой пыли.
- Не допускается всасывание асбеста или асбестовой пыли.
- Никогда не ставьте электроприбор на бок. Особое внимание следует обращать на горизонтальное положение и устойчивость электроприбора при работе на лестнице.



**ПРЕДУПРЕЖДЕНИЕ:** Всегда выключайте электроприбор и внимательно смотрите на контактах по завершении работ, перед тем, как приступить к чистке, замене фильтров и приспособлений, перемещению или консервации. Никогда не вынимайте штепсель из розетки, держа за шнур. Демонтируйте с электроприбора все приспособления перед тем, как отложить его на хранение.

- Не допускается хранение электроприбора непосредственно возле источников тепла.
- Никогда не оставляйте работающий пылесос без надзора. Если необходимо временно оставить рабочую зону, сначала выключите пылесос, или выньте штепсель из розетки (не дергайте за шнур, а выньте штепсель).
- Никогда не используйте электроприбор, если вы находитесь под воздействием медикаментов, алкоголя или наркотиков, если вы проходите лечение или чувствуете усталость.
- Убедитесь в том, что кабель расположен так, чтобы в него невозможно было споткнуться.
- Регулярно проверяйте исправность электроприбора и электрического шнура. Не используйте неисправные электроприборы.
- Если кабель поврежден, его замену следует осуществить в специализированной мастерской SPARKY.
- Не пытайтесь ремонтировать электроприбор самостоятельно. Ремонт этих электроприборов могут осуществлять только квалифицированные специалисты специализированных мастерских SPARKY, с применением оригинальных запасных частей. Неправильный ремонт может стать причиной возникновения значительной опасности для потребителя.
- Используйте только оригинальные приспособления SPARKY. Использование неоригинальных частей или приспособлений представляет собой потенциальную опасность и аннулирует гарантию.
- Регулярно проверяйте поплавков.
- Если заметите, что из электроприбора вытекает жидкость, немедленно выключите его и выньте штепсель из контакта.
- Не ставьте электроприбор в воду. Проверьте, не залит ли электроприбор водой.
- Сливая вососанную воду, убедитесь в правильности соблюдения предписаний закона.
- Хранить электроприбор следует только в надежном и сухом месте, беречь от доступа детей.
- Всегда содержите пылесос в чистоте. Не допускается использование растворителей или чистящих препаратов, содержащих растворители.

Пожалуйста, обратите особое внимание на перечисленные далее специальные требования техники безопасности.

## **СПЕЦИАЛЬНЫЕ ТРЕБОВАНИЯ ТЕХНИКИ БЕЗОПАСНОСТИ**

- Не допускается всасывание горячих угольков и предметов с острыми кромками и швами.
- Не допускается использование электроприбора во влажных помещениях.
- Во время работы убедитесь в том, что ваши волосы, одежда, или их части не будут всасываться пылесосом.
- Берегите пылесос от источников тепла, таких как радиаторы, духовки и др.
- В целях правильной эксплуатации этого электроприбора необходимо соблюдать правила техники безопасности, общие инструкции, а также указанные здесь инструкции. Все потребители должны ознакомиться с настоящей инструкцией по эксплуатации и получить информацию о потенциальных рисках, возникающих при использовании электроприбора.
- Этот электроприбор не предназначен для использования лицами (включительно детьми) с ограниченными физическими или умственными возможностями, с недостаточным опытом и познаниями, за исключением случаев, когда это происходит под наблюдением и с инструкциями лица, ответственного за их безопасность
- Не следует оставлять без наблюдения детей, чтобы они не играли с электроприбором.
- Изготовитель не несет ответственность за внешние изменения в электроинструменте, или за поломки, вызванные такими изменениями.
- Электроприбор не следует использовать под открытым небом в дождливую погоду, во влажной среде (после дождя), или вблизи возгораемых жидкостей и газов. Рабочее место должно быть хорошо освещено.

## **Знакомство с электроприбором**

1. Рукоятка
2. Выключатель
3. Крышка
4. Поставка для фильтров
5. Поплавок
6. Застежки
7. Контейнер
8. Крепление для шланга
9. 2 маленьких роликовых колесика
10. Комплект шланга
11. Пластмассовая труба
12. Отверстие для нагнетания воздуха
13. Наконечник для твердых напольных покрытий
14. Мешочек для пыли
15. Узкий наконечник для щелей и фуг
16. Основания для роликовых колес
17. Гнездо застежки
18. Место закрепления приспособлений
19. Фильтр из пенопласта
20. 2 больших колесика
21. Гофрированный фильтр из полиэстера

22. Фильтр для сухой уборки
23. Крючок для наматывания шнура.

## **УДАЛЕНИЕ УПАКОВКИ**

В соответствии с общепринятыми технологиями производства мало вероятно, что приобретенный Вами электроприбор неисправен, или отсутствует какая-либо из его частей. Все же, в случае какого-либо несоответствия, не используйте электроприбор до тех пор, пока поврежденная часть не будет заменена, или устранен дефект. Неисполнение этой рекомендации может привести к тяжелому трудовому инциденту.

Внимательно распакуйте содержание коробки.

1. Возьмитесь за две застежки (6), удерживающие крышку (3), и поднимите их вверх (*Рис. 1*).
2. Освободите застежки, снимите крышку, (*Рис. 2*) выньте содержимое контейнера.

Пожалуйста, проверьте наличие всех частей, перечисленных в списке выше, а также отсутствие каких-либо повреждений при транспортировке.

## **СБОРКА**

- Поднимите наверх обе застежки, удерживающие крышку (*Рис. 1*).
- Освободите застежки и поднимите крышку вверх и наружу (*Рис. 2*).
- Установите контейнер отверстием вниз на стабильную, ровную и чистую поверхность.
- Закрепите к контейнеру с помощью шурупов основания (16) маленькие роликовые колесики (9). (*Рис. 3*)
- Закрепите маленькие передние колесики (9) к их основам (16) путем нажатия. (*Рис. 4*)
- Закрепите к контейнеру с помощью шурупов монтированные вместе с основами большие задние колеса (20). На колесиках нанесена маркировка (L и R) для монтажа слева (L) и справа (R).
- Верните контейнер в нормальное положение.
- Вставьте фильтр, соответствующий выполняемой работе.
- Установите крышку контейнера на ее место.
- Выравняйте крышку с застежками.
- Зацепите застежки за крышку и нажмите вниз, до звука характерного щелчка.
- Вставьте широкий конец шланга (10) в переднее всасывающее отверстие (8) контейнера (*Рис. 5*). Зубцы штуцера шланга должны совпасть с с каналом входного отверстия. Поверните штуцер в направлении, обозначенном стрелкой.
- Выберите подходящий наконечник и/или трубу, и монтируйте в шланг (10), (*Рис. 6*).
- После завершения работ и чистки электроприбора следует хранить все приспособления, разместив их в предназначенных для этого местах на корпусе пылесоса (*Рис. 7*).

## **Указания по работе**

Электроинструмент приводится в действие посредством однофазного переменного напряжения.

Инструмент необходимо включать в электрические розетки с защитными клеммами.

Радиопомехи соответствуют Директиве электромагнитной совместимости.

## **ПЕРЕД ТЕМ КАК ПРИСТУПИТЬ К РАБОТЕ**

- Проверьте соответствие напряжения электрической сети обозначениям на табличке технических данных электроприбора.
- Убедитесь в исправности электрического кабеля и штепселя. Замену поврежденного электрического кабеля должен осуществлять изготовитель или специалист сервисного центра, во избежание рисков.
- Прочтите, разберитесь и соблюдайте указания раздела "Инструкции по технике безопасности при использовании пылесосов".

## **СУХАЯ УБОРКА**



**ПРЕДУПРЕЖДЕНИЕ:** Не допускается всасывание пылесосом вредных для здоровья веществ.



**ПРЕДУПРЕЖДЕНИЕ:** Не допускается всасывание жидкостей при монтированных фильтрах для сухой уборки.

Для сухой уборки используются следующие фильтрующие элементы:

а) Фильтр для сухой чистки (22) и мешочек для пыли (14), могут использоваться вместе и отдельно. При совместном использовании повышается эффективность фильтрования.

б) Гофрированный фильтр (21) и мешочек для пыли (14) могут использоваться как вместе, так и отдельно. При самостоятельном использовании производительность фильтрования гофрированного фильтра намного выше, чем мешочка для пыли.

Мощность фильтрации:

Гофрированный фильтр: высокая

Фильтр для сухой чистки: средняя

Мешочек для пыли: низкая

- Убедитесь в том, что электроприбор не включен в электрическую сеть.
- Убедитесь в том, что контейнер (7) чистый и сухой.

### **Фильтр для сухой чистки**

Вставьте фильтр для сухой чистки (22) в подставку для фильтров (4). (Рис. 8)

### **Гофрированный фильтр**

Установите гофрированный фильтр на подставку для фильтров (4) (Рис. 9). Накройте подставку для фильтров (4) фиксирующей крышкой и закрутите ее. После длительного использования фильтр необходимо почистить щеткой или вытряхнуть.

При чистке бетона или другого подобного материала, выделяющего мелкую пыль, гофрированный

фильтр необходимо чаще чистить щеткой или вытряхивать. Это является важной предпосылкой надежной работы и долгосрочной эксплуатации Вашего пылесоса. Фильтр необходимо заменить новым если он поврежден, или мощность всасывания снизилась.

### **Мешочек для пыли**

- Наденьте мешочек для пыли на отверстие для подключения шланга (Рис. 10) с внутренней стороны контейнера. Прижмите мешочек до звука характерного щелчка (Рис. 11). Действуйте осторожно, чтобы не повредить мешочек для пыли.

Использование неподходящего мешочка для пыли аннулирует гарантию.

Регулярно проверяйте мешочек для пыли (14), и меняйте ее при заполнении на 2/3. Благодаря своей конструкции, мешочек пропускает только воздух, задерживая пыль. По этой причине использованный мешочек не может использоваться повторно.

Не используйте мешочек для пыли для всасывания острых и влажных предметов.

- Верните крышку контейнера на место и застегните застегки.
- Широкий конец шланга вставьте в переднее всасывающее отверстие контейнера.
- Выберите необходимый наконечник (13,15) или трубу (11) и соедините со шлангом (10).
- Перед тем, как вставить штепсель в электрическую розетку, убедитесь в том, что выключатель (2) электроприбора находится в положении выключено - "O".
- Вставьте штепсель в электрическую розетку.
- Включите электромотор (выключатель переведите в положение "I").
- По окончании уборки, выключите электродвигатель путем установки выключателя (2) в положение "O" (выключено).
- Выньте штепсель из розетки.

## **ВЛАЖНАЯ УБОРКА**



**ПРЕДУПРЕЖДЕНИЕ:** Не допускается всасывать пылесосом вредные для здоровья вещества.

- Убедитесь в том, что штепсель шнура электроприбора вынут из розетки.
- Контейнер (7) должен быть чистым, без пыли и грязи.
- Снимите монтированный на заводе рифленный фильтр (21), который не подходит для влажной уборки.
- Выньте мешочек для пыли (14) и фильтр для сухой уборки (22), если до этого они использовались в пылесосе.
- Вставьте фильтр из пенопласта (19) (Рис. 12) в подставку для фильтров.
- Поставьте крышку обратно на контейнер и застегните застегки.
- Вставьте широкий конец шланга в переднее всасывающее отверстие контейнера.

- Возьмите необходимый наконечник (13,15) или трубу (11), и соедините его со шлангом (10).
- Убедитесь в том, что выключатель (2) электроприбора установлен в положение "О" (выключен) перед тем, как вставить штепсель шнура в электрическую розетку.
- Вставьте штепсель шнура в электрическую розетку.
- Выключатель (2) установите в положение "I", чтобы включить электродвигатель.
- По завершении влажной уборки выключите пылесос, переведя выключатель (2) в положение "О" (выключен).
- Выньте штепсель шнура из электрической розетки.
- По завершении работы содержимое контейнера необходимо слить и почистить контейнер (7).

**Рекомендация:** Если необходимо всосать большое количество жидкости из раковины или резервуара, не погружайте наконечник в жидкость полностью, а оставьте часть наконечника снаружи, чтобы обеспечивать всасывание воздуха.

Электроприбор снабжен поплавком (5) (Рис. 13), который выключает пылесос при заполнении контейнера. Понять, что всасывание прекратилось, можно по увеличению скорости вращения электродвигателя. В этом случае выключите электроприбор и выньте штепсель шнура из розетки.

Необходимо учитывать, что полный контейнер может оказаться слишком тяжелым.

После завершения влажной уборки выключите электроприбор и выньте штепсель шнура из розетки. Контейнер следует опорожнить, почистить и высушить снаружи и внутри перед тем, как оставить для будущего использования.

**ВАЖНО!** После влажной уборки, перед тем, как вновь перейти к сухой чистке, осуществите действия, указанные в разделе "Сухая уборка".

## ПРОДУВОЧНЫЙ ВОЗДУХ

Снимите крючок, на котором накручен шнур (23). Вставьте широкую часть шланга в отверстие в верхней задней части пылесоса. Зубец штуцера шланга должен совпасть с каналом входного отверстия. (Рис. 14)



**ПРЕДУПРЕЖДЕНИЕ:** Никогда не направляйте воздушную струю в сторону людей, животных или предметов, т.к. продувочный воздух может быть горячим.

## ПРИНАДЛЕЖНОСТИ

МОДЕЛЬ	VC 1221
Комплект шланга	•
Пластмассовая труба из 2 частей	•
Мешочек для пыли	•
Фильтр для сухой уборки	•

Фильтр из пенопласта	•
Гофрированный фильтр	•
Наконечник для твердых напольных настилов	•
Наконечник для щелей (фуг)	•
Колесики	2 маленьких + 2 больших
Основания для роликовых колес	2



**ПРЕДУПРЕЖДЕНИЕ:** Используйте только оригинальные принадлежности SPARKY. Использование неоригинальных частей или принадлежностей несет потенциальную опасность и аннулирует гарантию.

## Обслуживание

- Убедитесь в том, что штепсель кабеля электроприбора вынут из розетки.
- Выньте шланг (10) из контейнера.
- Освободите застёжки (Рис. 1) и снимите крышку контейнера (Рис. 2).
- Тщательно почистите контейнер и шланг от накопившейся грязи и мусора.
- Почистите пенопластовый фильтр (19), промойте его слабым моющим средством.
- Проверьте шланг и соединительные отверстия, проверьте, не поврежден ли электрический шнур.
- После демонтажа пенопластового фильтра (19) проверьте поплавков (5). Для этого возьмитесь за рукоятку крышки и внимательно переверните так, чтобы подставка для фильтра была направлена вверх. Поплавок должен свободно двигаться вверх-вниз (Рис. 13).



**ПРЕДУПРЕЖДЕНИЕ:** Не допускается использование спирта, бензина или других растворителей. Никогда не используйте едкие препараты для чистки пластмассовых частей.



**ПРЕДУПРЕЖДЕНИЕ:** Не допускайте контакт электроприбора с водой.

**ВАЖНО!** В целях обеспечения безопасного использования электроприбора и его надежности, все ремонтные деятельности, а также обслуживание и наладку необходимо выполнять в специализированных мастерских SPARKY, с использованием только оригинальных запасных частей.

## ВОЗМОЖНЫЕ НЕПОЛАДКИ И ИХ УСТРАНЕНИЕ

Констатированная неисправность	Вероятная причина	Способ устранения
Электроприбор не работает	Отсутствует питание.	Проверьте питающее напряжение.
	Функциональный отказ в питающем кабеле, выключателе или электродвигателе.	Проверьте, отремонтируйте или замените поврежденную часть.
	Контейнер полон жидкостью.	Опорожните контейнер.
Из крышки электродвигателя выходит пыль	Отсутствует мешочек для сбора пыли или он поврежден / гофрированный фильтр.	Установите или замените мешочек для сбора пыли / гофрированный фильтр.
Низкая всасывающая мощность и высокие обороты электродвигателя / вибрации	Гофрированный фильтр засорен.	Замените гофрированный фильтр.
	Наконечник, шланг или контейнер засорен.	Проверьте наконечник, шланг или контейнер.

## Гарантия

Гарантийный срок электроприборов SPARKY указан в гарантийной карте.

Неполадки, возникшие вследствие естественного снашивания, перегрузок или неправильной эксплуатации, не входят в гарантийные обязанности.

Неполадки, возникшие вследствие использования некачественных материалов и/или в результате производственных ошибок, устраняются без дополнительной оплаты путем замены или ремонта.

Рекламация дефектного электроприбора SPARKY принимается при условии, что электроприбор будет возвращен поставщику, или в специализированный гарантийный сервис в не разобранном (первоначальном) виде.

## Примечания

Внимательно прочтите весь текст инструкции перед тем, как приступить к работе с пылесосом.

Производитель сохраняет за собой право вносить изменения и улучшения в свои изделия, а также изменять спецификации без предупреждения.

Спецификации для отдельных стран могут различаться.



## Зміст

Введення.....	63
Технічні дані.....	65
Інструкції з безпеки при роботі пилососа.....	65
Ознайомлення з електроприладом.....	67
Інструкції з використання.....	67
Обслуговування.....	69
Гарантія.....	70

## Введення

Набутий вами електроприлад SPARKY перевершить Ваші очікування. Він зроблений у відповідність високим стандартам якості SPARKY, що відповідає суворим вимогам споживачів. Він простий в обслуговуванні і безпечний при експлуатації, при правильному використанні цей електроприлад прослужить вам довгі роки.



### УВАГА!

Прочитайте уважно і цілком інструкцію з експлуатації, перед тим, як приступити до використання придбаного вами електроприладу SPARKY. Зверніть спеціальну увагу на розділи, позначених словом "**Застереження**". У Вашого електроприладу SPARKY багато якостей, які спрощують роботу. При розробці цього електроприладу основну увагу було приділено безпеці, експлуатаційним якостям і надійності, що спрощує обслуговування та експлуатацію.



### Не викидайте електроприлади разом з побутовими відходами!

Відходи від електричних виробів не слід поєднувати з побутовими відходами. Будь ласка, викидайте у призначених для цього місцях. Зв'яжіться з місцевою владою або представником для консультації з питань утилізації.



### ОХОРОНА НАВКОЛИШНЬОГО СЕРЕДОВИЩА

З метою охорони навколишнього середовища цей електроприлад, приналежності й упаковка повинні піддатися відповідній переробки для повторного використання сировини, що міститься в них. Для спрощення утилізації, деталі, виготовлені з штучних матеріалів, позначені відповідними чином.

## ОПИС СИМВОЛІВ

В таблиці з даними електроприладу є спеціальні символи. Вони є важливою інформацією про використання інструмента і його характеристики.



Подвійна ізоляція для додаткового захисту.



Пилосос для вологого прибирання.



Відповідає чинним європейським директивам



Відповідає регламентам Митного союзу



Відповідність вимогам українських нормативних документів



Ознайомтеся з інструкцією з експлуатації.

---

YYYY-Www

Термін виробництва, де змінними символами є:  
YYYY - рік випуску, ww – черговий календарний тиждень

---

VC

ПИЛОСОС ДЛЯ ВОЛОГОГО / СУХОГО ПРИБИРАННЯ

---

## Технічні дані

<b>МОДЕЛЬ:</b>	<b>VC 1221</b>
▪ Потужність	1250 W
▪ Макс. потужність всмоктування	1500 W
▪ Місткість контейнера	20 l
▪ Матеріал контейнера	пластмаса
▪ Місткість мішечків для пилу	20 l
▪ Максимальна сила всмоктування	18 kPa
▪ Максимальна швидкість всмоктування	55 l/s
▪ Сила всмоктування згідно з EN 60312	27 l/s
▪ Всмоктування рідин	так
▪ Регулювання повітряного потоку	ні
▪ Діаметр шлангу	Ø36 mm
▪ Довжина шлангу	1,5 m
▪ Довжина шнура	4 m
▪ Радіус робочої зони	6 m
▪ Вага (процедура EPTA 01/2014)	4,5 kg
▪ Ступінь захисту	IP X4
▪ Клас захисту	□ / II
▪ <b>Рівень шуму</b> (показники виміряні згідно з EN 60704):	
А-зважений рівень звукового навантаження L <sub>WA</sub>	75,6 dB(A)
А-зважений рівень звукової потужності L <sub>WA</sub>	88,7 dB(A)



Використовуйте засоби захисту від шуму!

## Інструкції з безпеки при роботі пилососа

- Цей пристрій не передбачений для використання дітьми і особами з обмеженими фізичними, сенсорними та розумовими здібностями, або недостатнім досвідом та знаннями.
- Це пристрій можна використовувати дітям старше 8 років, особам з обмеженими фізичними або розумовими та ін. особливостями, або особам без досвіду і знань - під наглядом, або інструктованих з техніки безпеки при роботі, яки розуміють можливу небезпеку. Не дозволяйте дітям гратися з цим пристроєм. Дітям не слід без нагляду вчиняти чистку або обслуговування цього пристрою.



**ПОПЕРЕДЖЕННЯ:** Цей електроприлад задовольняє обов'язковим вимогам щодо безпеки електричних виробів. Для того, щоб уникнути ушкоджень, споживач має ознайомитися з посібником з експлуатації та прочитати всі інструкції. Невиконання викладених далі інструкцій може призвести до небажаних наслідків та/або пошкодження майна, і гарантія в такому випадку анулюється.

**Зберігайте ці інструкції для подальшого використання!**



**ПОПЕРЕДЖЕННЯ:** Перевірте відповідність напруги в електромережі і даних, наведених на таблиці, з технічними даними електроприладу.

- Якщо Ви не впевнені в тому, якою є величина напруги електромережі, не підключайте прилад до мережі.
- Напруга вище номінальної може завдати користувачеві важких травм і пошкодити прилад.
- Якщо напруга нижча номінальної, електродвигун пошкодиться.
- Пилосос призначений для всмоктування безпечних для здоров'я і незаймистих матеріалів.

- Електроприлад призначений для використання в побуті та у домашній майстерні.
- Не використовуйте електроприлад під відкритим небом (якщо він спеціально не призначений для робіт під відкритим небом).
- Не піддавайте пилосос впливу тепла, прямого сонячного проміння або підвищеної вологості (напр., дощу).
- Не занурюйте електроприлад у рідини, бережіть його від гострих країв, які можуть його пошкодити.
- Не допускається використання електроприладу з мокрими або вологими руками. Якщо електроприлад намок під час роботи, негайно вийміть штепсель з розетки. Не допускається занурення електроприладу у воду.
- Якщо Ви експлуатуєте пилосос у вологому середовищі, використовуйте запобіжний пристрій для переривання подачі струму, який приводиться в дію залишковим струмом, щоб вимкнути живлення приладу. Використання запобіжного пристрою зменшує ризик ураження електричним струмом.
- Електроінструмент слід використовувати тільки за призначенням. Будь-яке інше застосування, що відрізняється від зазначеного у цій інструкції, вважається нецільовим. Відповідальність за всі пошкодження або поранення внаслідок неправильного застосування несе споживач, а не виробник.
- Ніколи не наближайте з'єднувальні отвори електроприладу до обличчя (особливо до очей, вух тощо). Ніколи не направляйте наконечник у бік людей чи тварин.
- Перш ніж розпочати використання електроприладу, переконайтеся у тому, що відповідний мішечок для пилу вставлений і правильно закріплений у тримачі. Невідповідний або неправильно закріплений мішечок для пилу може спричинити пошкодження електроприладу, що анулює гарантію.
- Не допускається всмоктування попелу, жарин, що тліють тощо, а також великих шматків битого скла та гострих предметів.
- Не допускається всмоктування порошку тонера для принтера чи ксерокса, оскільки тонер є електропровідним матеріалом. Крім того, існує можливість, що фільтрувальна система пилососа для вологого/сухого прибирання не зможе повністю всмоктати пил, який виділяє тонер, в результаті чого він потрапить у повітря через вентилятор для вихідного повітря.
- Не допускається прибирання займистих або отруйних рідин, таких як бензин, нафта, кислоти або інші леткі речовини.
- Не допускається всмоктування рідин, температури яких вище 60°C, а також усіх видів отруйного або легкозаймистого пилу.
- Не дозволяється всмоктувати азбест або азбестовий пил.
- Ніколи не кладіть прилад на бік. Звертайте особливу увагу на горизонтальну положення та стабільність розташування приладу під час його експлуатації на сходах.



**ПОПЕРЕДЖЕННЯ:** Завжди вимикайте електроприлад і виймайте штепсель з контакту по завершенні робіт, перед тим, як розпочати чищення, заміну фільтрів і пристроїв, переміщати та відправляти на зберігання. Ніколи не виймайте штепсель з розетки, смакаючи за шнур. Демонструйте з електроприладу всі пристосування перед тим, як покласти його на зберігання.

- Не допускається зберігання приладу в безпосередній близькості до джерел тепла.
- Ніколи не залишайте працюючий пилосос без нагляду. Якщо необхідно тимчасово залишити робочу зону, спочатку вимкніть пилосос або вийміть штепсель з розетки (не смакайте за шнур, а вийміть штепсель).
- Ніколи не використовуйте електроприлад, якщо ви знаходитесь під дією медикаментів, алкоголю, наркотиків, або якщо ви проходитье курс лікування чи відчуваєте втому.
- Переконайтеся у тому, що кабель розміщений так, щоб через нього не можна було переміститися.
- Регулярно перевіряйте справність приладу та кабелю живлення. Не використовуйте несправні електроприлади.
- Якщо кабель пошкоджено, його заміну необхідно проводити у спеціалізованій майстерні SPARKY.
- Не намагайтеся самостійно ремонтувати електроприлад. Ремонт повинні виконувати тільки кваліфіковані спеціалісти в спеціалізованих сервісних установах фірми SPARKY за умови використання оригінальних запасних частин. Неправильний ремонт може спричинити виникнення суттєвої небезпеки для користувача.
- Використовуйте тільки оригінальні комплектуючі фірми SPARKY. Використання інших запасних частин та комплектуючих є потенційно небезпечним і анулює гарантію.
- Часто перевіряйте поплавок.
- Якщо ви помітите, що з електроприладу витікає рідина, негайно вимкніть його та вийміть штепсель з розетки.
- Не ставте електроприлад у воду. Перевірте, чи не залитий електроприлад водою.
- Під час утилізації зібраної пилососом води, дотримуйте вимог чинного законодавства з цього приводу.
- Пилосос слід зберігати у надійному та сухому місці, недоступному для дітей.
- Завжди зберігайте пилосос у чистоті. Не допускається використання розчинників або засобів для чищення, що їх містять.

Будь-ласка, зверніть особливу увагу на наведені нижче особливі вимоги техніки безпеки.

#### **ОСОБЛИВІ ВИМОГИ ТЕХНІКИ БЕЗПЕКИ**

- Не допускається всмоктування гарячих жарин та предметів з гострими краями і швами.
- Не допускається експлуатація електроприладу у вологих приміщеннях.
- Під час роботи переконайтеся, що ваше волосся, одяг або їх частини не будуть всмоктуватися пилососом.

- Зберігайте пиросос осторонь від джерел тепла, таких як батареї, духовки тощо.
- З метою правильної експлуатації цього електроприладу слід дотримувати наведених у цьому документі правил техніки безпеки, загальних інструкцій та вказівок. Всі споживачі повинні ознайомитися з цією інструкцією з експлуатації та дізнатися про можливі ризики, що виникають під час експлуатації електроприладу.
- Цей електроприлад не призначений для використання особами (в тому числі дітьми) з обмеженими фізичними або розумовими можливостями, з недостатнім досвідом і знаннями, за винятком випадків, коли це відбувається під наглядом і у відповідності з вказівками особи, відповідальної за їх безпеку.
- Не слід залишати дітей поряд з приладом без нагляду і дозволяти їм гратися з ним.
- Виробник не несе відповідальності за внесення споживачем змін в електроприлад, або за поломки, спричинені такими змінами.
- Електроприлад не слід використовувати під відкритим небом у дощову погоду, у вологому середовищі (після дощу), або поблизу займистих рідин і газів. Робоче місце повинно бути добре освітлене.

## Ознайомлення з електроприладом

1. Ручка
2. Вимикач
3. Кришка
4. Підставка для фільтрів
5. Поплавок
6. Фіксатори
7. Контейнер
8. Кріплення для шлангу
9. 2 маленьких роликів колеса
10. Комплект шлангу
11. Пластмасова труба
12. Отвір для нагнітання повітря
13. Наконечник для твердого покриття підлоги
14. Мішечок для пилу
15. Вузкий наконечник для щілин та фург
16. Основа для роликів коліс
17. Гніздо застібки
18. Місце кріплення комплектуючих
19. Фільтр з пінопласту
20. 2 великих коліщатка
21. Гофрований фільтр з поліестру
22. Фільтр для сухого прибирання
23. Гачок для намотування шнура.

## ЗНЯТТЯ УПАКОВКИ

З огляду на загальноприйняті технології виробництва, несправність придбаного Вами електроприладу або відсутність будь-якої з його частини є майже неможливими. Все ж, якщо Ви помітили будь-які невідповідності, не використовуйте електроприлад доти, доки пошкоджена частина не буде замінена, або несправ-

ність не буде усунена. Порушення цієї рекомендації може призвести до нещасного випадку.

Обережно вийміть вміст коробки.

1. Візьміться за дві застібки (6), які фіксують кришку (3) та підніміть їх вгору (Рис. 1).
2. Розстебніть застібки, зніміть кришку (Рис. 2) вийміть вміст контейнера.

Перевірте наявність всіх частин, наведених у переліку вище, а також відсутність будь-яких пошкоджень, які б могли виникнути під час транспортування.

## ЗБИРАННЯ

- Підніміть вгору обидві застібки, які утримують кришку (Рис. 1).
- Розстебніть застібки і підніміть кришку вгору та назовні (Рис. 2).
- Встановіть контейнер отвором донизу на стійку, рівню і чисту поверхню.
- Прикріпіть до контейнера за допомогою шурупів основи (16) маленькі роликів коліщата (9). (Рис. 3)
- Закріпіть маленькі передні коліщата (9) до основи (16), натиснувши на них. (Рис. 4)
- Прикріпіть до контейнера за допомогою шурупів вмонтовані в основу великі задні коліщата (20). На коліщатах є позначки (L і R) для монтажу зліва (L) і справа (R).
- Поверніть контейнер у нормальне положення.
- Вставте фільтр, який відповідає роботі, що виконується.
- Встановіть кришку контейнера на місце.
- Вирівняйте кришку з фіксаторами.
- Поставте фіксатори на кришу і натисніть до характерного клацання.
- Вставте широкий кінець шлангу (1) в передній отвір всмоктування (8) контейнеру (Рис. 5). Зубці штуцера шлангу повинні збігатися з каналом вхідного отвору. Поверніть штуцер у напрямку, позначеному стрілочкою.
- Виберіть відповідний наконечник та/або трубу і вставте її в шланг (10) (Рис. 6).
- Після завершення робіт та очищення електроприладу всі комплектуючі слід зберігати у спеціально відведених для них місцях на корпусі пило-сосу (Рис. 7).

## Інструкції з використання

Електроприлад приводиться у дію за допомогою однофазної змінної напруги. Його слід вмикати в електричні розетки із захисними клемми.

Радіоперешкоди відповідають Директиві електромагнітної сумісності.

## ПЕРШ НІЖ РОЗПОЧАТИ РОБОТУ

- Перевірте відповідність напруги електричної мережі позначенням на табличці технічних даних електроприладу.
- Переконайтеся у справності електричного кабелю і штепселя. Заміну пошкодженого електрич-

ного кабелю повинен здійснювати виробник або фахівець сервісного центру, щоб уникнути ризиків.

- Прочитайте вказівки, наведені в розділі «Інструкція з техніки безпеки під час роботи пиლოსосу», розберіться в них та дотримуйтесь їх.

## СУХЕ ПРИБИРАННЯ



**ПОПЕРЕДЖЕННЯ:** Не допускається прибирання пиლოსосом шкідливих для здоров'я речовин.



**ПРЕДУПРЕЖДЕНИЕ:** Не допускається всмоктування рідин при встановлених фільтрах для сухого прибирання.

Для сухого прибирання використовуються наступні фільтрувальні елементи:

- а) Фільтр для сухого прибирання (22) та мішечок для пилу (14), можуть використовуватися разом і окремо. Під час одночасного використання зазначених елементів зростає ефективність фільтрування.
- б) Гофрований фільтр (21) та мішечок для пилу (14), можуть використовуватися як разом, так і окремо. Під час самостійного використання показники фільтрування гофрованого фільтра значно вищі, аніж мішечка для пилу.

Потужність фільтрації:

Гофрований фільтр: висока

Фільтр для сухого прибирання: середня

Мішечок для пилу: низька

- Переконайтеся у тому, що електроприлад не увімкнений в електричну мережу.
- Переконайтеся у тому, що контейнер (7) чистий і сухий.

### Фільтр для сухого прибирання

Вставте фільтр для сухого прибирання (22) в підставку для фільтрів (4). (Рис. 8)

### Гофрований фільтр

Встановіть гофрований фільтр на підставку для фільтрів (4) (Рис. 9). Накрийте підставку для фільтрів (4) фіксуючою кришкою та закрутіть її. Після тривалого використання фільтр необхідно почистити щіткою або витрусити.

Під час прибирання бетону чи іншого аналогічного матеріалу, який виділяє дрібний пил, гофрований фільтр необхідно частіше чистити щіткою або витрушувати. Це важлива передумова надійної роботи і тривалої експлуатації Вашого пиლოსосу. Фільтр необхідно замінити на новий, якщо він пошкоджений або потужність всмоктування знизилась.

### Мішечок для пилу

- Надягніть мішечок для пилу на отвір для приєднання шлангу (Рис. 10) з внутрішньої сторони контейнера. Натисніть мішечок до характерного клацання (Рис. 11). Дійте обережно, аби не пошкодити мішечок для пилу

Використання невідповідного мішечка для пилу анулює гарантію.

Регулярно перевіряйте мішечок для пилу (14) і міняйте його, щойно він заповниться на 2/3. Завдяки своїй конструкції, мішечок пропускає лише повітря, затримуючи пил. Тому використаний мішечок не може використовуватися повторно.

Не використовуйте мішечок для пилу для всмоктування гострих та вологих предметів.

- Поверніть кришку контейнера на місце та застібніть фіксатори.
- Вставте широкий кінець шлангу в передній отвір всмоктування контейнеру.
- Виберіть відповідний наконечник (13, 15) або трубу (11) і з'єднайте її за шлангом (10).
- Перш ніж вставити штепсель в електричну розетку переконайтеся, що вимикач (2) електроприладу знаходиться у вимкненому положенні - "О".
- Вставте штепсель в електричну розетку.
- Увімкніть електромотор (поставте вимикач в положення «I»).
- Після закінчення прибирання вимкніть електродвигун, встановивши вимикач (2) в положення «О» (вимкнено).
- Вийміть штепсель з розетки.

## ВОЛОГЕ ПРИБИРАННЯ



**ПОПЕРЕДЖЕННЯ:** Не допускається всмоктування пиლოსосом шкідливих для здоров'я речовин.

- Переконайтеся в тому, що штепсель шнура електроприладу вийнятий з розетки.
- Контейнер (7) повинен бути чистим, без пилу і бруду.
- Зніміть вмонтований на заводі гофрований фільтр (21), який не підходить для вологого прибирання.
- Вийміть мішечок для пилу (14) і фільтр для сухого прибирання (22), якщо вони попередньо використовувалися у пиლოსосі.
- Вставте фільтр з пінопласту (19) (Рис. 12) в підставку для фільтрів.
- Поставте кришку назад на контейнер і застібніть фіксатори.
- Вставте широкий кінець шлангу в передній отвір всмоктування контейнеру.
- Виберіть відповідний наконечник (13, 15) або трубу (11) і з'єднайте її за шлангом (10).
- Перш ніж вставити штепсель в електричну розетку переконайтеся, що вимикач (2) електроприладу знаходиться в положенні - "О" (вимкнено).
- Вставте штепсель шнура в електричну розетку.
- Увімкніть електричний двигун, встановивши перемикач (2) в положення «I».
- Після закінчення вологого прибирання вимкніть пиლოსос, встановивши вимикач (2) в положення «О» (вимкнено).
- Вийміть штепсель шнура з електричної розетки.
- Після завершення роботи вміст контейнера необхідно злити і почистити контейнер (7).

**Рекомендація:** Якщо Вам потрібно втягнути велику кількість рідини з раковини чи резервуару, не занурюйте наконечний у рідину повністю, а розташуйте його так, щоб певна його частина залишалась над поверхнею; це потрібно для того, щоб забезпечити всмоктування повітря разом із рідиною.

Електроприлад обладнаний поплавком (5) (Рис. 13), який вимикає пілосос у випадку заповнення контейнера. Збільшення швидкості обертання електродвигуна вказує на те, що всмоктування припинилось. В цьому випадку вимкніть електроприлад і вийміть штепсель шнура з розетки.

Враховуйте, що заповнений контейнер може бути дуже важким.

Після завершення вологого прибирання вимкніть електроприлад і вийміть штепсель шнура з розетки. Вміст контейнера слід вилити, а сам контейнер почитистити та висушити ззовні та зсередини, перш ніж помити на зберігання.

**ВАЖЛИВО!** Якщо було виконане вологе прибирання, то перед початком сухого прибирання слід вжити заходів, вказаних у розділі «Сухе прибирання».

## ПРОДУВНЕ ПОВІТРЯ

Зніміть гачок, на який накручено шнур (23). Вставте широку частину шлангу в отвір у задній верхній частині пілососу. Зубці штуцера шлангу повинні збігатися з каналом вхідного отвору. (Рис. 14)



**ПОПЕРЕДЖЕННЯ:** Ніколи не направляйте повітряний струмінь у бік людей, тварин або предметів, тому що продувне повітря може бути гарячим.

## КОМПЛЕКТУЮЧІ

МОДЕЛЬ	VC 1221
Комплект шлангу	•
Пластмасова труба з 2 частин	•
Мішечок для пилу	•
Фільтр для сухого прибирання	•
Фільтр з пінопласту	•
Гофрований фільтр	•
Наконечник для твердого покриття підлоги	•
Наконечник для щілин (фуг)	•
Коліщата	2 маленьких + 2 великих
Основа для роликів коліщата	2



**ПОПЕРЕДЖЕННЯ:** Використовуйте тільки оригінальне приладдя фірми SPARKY. Використання інших запасних частин та приладдя є потенційно небезпечним і анулює гарантію.

## Обслуговування

- Переконайтеся в тому, що штепсель кабелю електроприладу вийнятий з розетки.
- Вийміть шланг (10) з контейнеру.
- Розстібніть фіксатори (Рис. 1) і зніміть кришку контейнера (Рис. 2).
- Старанно прочистіть контейнер і шланг від бруду та сміття, як накопичились в них.
- Прочистіть фільтр з пінопласту (19) за допомогою слабого м'якого засобу.
- Перевірте шланг та з'єднувальні отвори, а також електричний шнур на предмет пошкоджень.
- Після демонтажу фільтра з пінопласту (1) переверте поплавок (5). Для цього візьміться за ручку кришки і переверніть її так, аби підставка для фільтра була направлена вгору. Поплавок повинен вільно рухатися вгору-вниз (Рис. 13).



**ПОПЕРЕДЖЕННЯ:** Не допускається використання спирту, бензину або інших розчинників. Ніколи не використовуйте їдкі препарати для чищення пластмасових частин.



**ЗАСТЕРЕЖЕННЯ:** Не допускається проникнення води в електроприлад.

**ВАЖЛИВО!** З метою забезпечення безпеки під час використання електроприладу і його надійності, всі заходи з ремонту, обслуговування та налаштування слід здійснювати у спеціалізованих майстернях SPARKY, з використанням тільки оригінальних запасних частин.

## МОЖЛИВІ НЕСПРАВНОСТІ ТА ЇХ УСУНЕННЯ

Виявлена несправність	Ймовірна причина	Спосіб усунення
Електроприлад не працює	Немає живлення	Перевірте наявність електроживлення.
	Пошкодження електричного кабелю, вимикача або електродвигуна.	Перевірте, відремонтуйте або замініть пошкоджену частину.
	Контейнер заповнений рідиною.	Вилийте вміст контейнера.
З кришки електродвигуна виходить пил	Мішечок для пилу та/або гофрований фільтр відсутній чи пошкоджений.	Встановіть або замініть мішечок для пилу та/або гофрований фільтр.
Низька потужність всмоктування і високі оберти електродвигуна / вібрації	Гофрований фільтр забився.	Замініть гофрований фільтр.
	Наконечник, шланг або контейнер забився.	Перевірте наконечник, шланг або контейнер.

## Гарантія

Гарантійний термін на електроприлади SPARKY зазначений у гарантійному талоні.

Гарантійні зобов'язання не поширюються на несправності, що з'явилися внаслідок природного зносу, перевантаження або неправильного використання приладу.

Несправності, що з'явилися внаслідок використання виробником неякісних матеріалів та/або через виробничі помилки, усуваються шляхом заміни або ремонту без додаткової оплати.

Рекламації щодо дефектів електроприладу SPARKY приймаються в тому випадку, якщо прилад буде повернений постачальнику або доставлений у спеціалізовану сервісну установу в нерозібраному (початковому) стані.

## Примітки

Перед початком використання нового електроприладу уважно прочитайте весь текст інструкції з експлуатації.

Виробник залишає за собою право вносити у свої виробниці поліпшення і зміни, а також змінювати специфікації без попередження.

Специфікації для різних країн можуть відрізнятися.



## Съдържание

Въведение.....	71
Технически данни.....	73
Инструкции за безопасност при работа с прахосмукачки.....	73
Запознаване с електроуредата.....	75
Указания за работа.....	75
Поддръжка.....	77
Гаранция.....	78

## Въведение

Новопридобитият от Вас електроуред SPARKY ще надхвърли Вашите очаквания. Той е произведен в съответствие с високите стандарти на качеството на SPARKY, отговарящи на строгите изисквания на потребителя. Лесен за обслужване и безопасен при експлоатация, при правилна употреба този електроуред ще Ви служи надеждно дълги години.



### ПРЕДУПРЕЖДЕНИЕ!

Внимателно прочетете цялата инструкция за експлоатация преди да използвате новопридобития си електроуред SPARKY. Обърнете специално внимание на текстовете, които започват с думата **"Предупреждение"**. Вашият електроуред SPARKY притежава много качества, които ще улеснят Вашата работа. При разработката на този електроуред най-голямо внимание е обърнато на безопасността, експлоатационните качества и надеждността, които го правят лесен за поддръжка и експлоатация.



### Не изхвърляйте електроуреди заедно с битовите отпадъци!

Отпадъците от електрически изделия не трябва да се събират заедно с битовите отпадъци. Моля, рециклирайте на местата, предназначени за това. Свържете се с местните власти или представителя за консултация относно рециклирането.



### ОПАЗВАНЕ НА ОКОЛНАТА СРЕДА

С оглед опазване на околната среда електроуредът, принадлежностите и опаковката трябва да бъдат подложени на подходяща преработка за повторно използване на съдържащите се в тях суровини. За облекчаване на рециклирането детайлите, произведени от изкуствени материали, са обозначени по съответния начин.

## ОПИСАНИЕ НА СИМВОЛИТЕ

Върху табелката с данни на електроуредата са означени специални символи. Те предоставят важна информация за изделието или инструкции за неговото ползване.



Двойна изолация за допълнителна защита.



Прахосмукачка за мокро почистване



Съответства на приложимите европейски директиви



Съответства на изискванията на регламентите на Митническия съюз.



Съответства на изискванията на украинските нормативни документи



Запознайте се с инструкцията за експлоатация

YYYY-Www

Период на производство, където променливи символи са:

YYYY - година на производство, ww - поредна календарна седмица

VC

ПРАХОСМУКАЧКА ЗА МОКРО / СУХО ПОЧИСТВАНЕ

## Технически данни

<b>МОДЕЛ:</b>	<b>VC 1221</b>
▪ Консумирана мощност	1250 W
▪ Макс. мощност на засмукване	1500 W
▪ Вместимост на контейнера	20 l
▪ Материал на контейнера	пластмаса
▪ Вместимост на торбичката за прах	20 l
▪ Максимална сила на засмукване	18 kPa
▪ Максимален дебит	55 l/s
▪ Дебит съгласно EN 60312	27 l/s
▪ Изсмукване на течности	да
▪ Регулиране на въздушния поток	не
▪ Диаметър на маркуча	Ø36 mm
▪ Дължина на маркуча	1,5 m
▪ Дължина на кабела	4 m
▪ Радиус на зоната за работа	6 m
▪ Тегло (ЕРТА процедура 01/2014)	4,5 kg
▪ Степен на защита	IP X4
▪ Клас на защита	□ / II
▪ <b>Излъчване на шум</b> (стойностите са измерени съгласно EN 60704-1):	
А-претеглено ниво на звуково налягане $L_{pA}$	75,6 dB(A)
А-претеглено ниво на звукова мощност $L_{WA}$	88,7 dB(A)



Използвайте средства за защита от шума!

## Инструкции за безопасност при работа с прахосмукачки

- Този уред не е предназначен за ползване от деца и лица с ограничени физически, сензорни или душевни възможности или без достатъчно опит.
- Този уред може да се използва от деца на възраст над 8 години, от лица с ограничени физически, сетивни или умствени способности или от лица без опит и познания, ако работят под надзор или са инструктирани за безопасната работа с уреда и осъзнават възможните опасности. Децата не трябва да си играят с уреда. Почистването и поддръжката на уреда да не се извършва от деца без надзор.



**ПРЕДУПРЕЖДЕНИЕ:** Този електроуред отговаря на задължителните наредби по безопасност за електрически изделия. За да се избегне рискът от нараняване, потребителят трябва да прочете инструкцията за експлоатация. Да се четат всички инструкции. Неспазването на изброените по-долу инструкции може да предизвика злополука и/или повреда на имущество и ще анулира гаранцията.

Съхранявайте тези инструкции за по-нататъшна употреба!



**ПРЕДУПРЕЖДЕНИЕ:** Проверете дали напрежението на електрическата мрежа отговаря на това, означено върху табелката с технически данни на електроуреда.

- В случай, че не сте сигурни какво е напрежението, не включвайте електроуреда.
- Захранващо напрежение, по-високо от номиналното, може да предизвика сериозни травми на потребителя, както и повреда на електроуреда.
- В случай, че напрежението е по-ниско от номиналното, електродвигателят ще се повреди.

- Електроуредът е предназначен за изсмукване на материали, които не представляват опасност за здравето и не са запалими.
- Този електроуред е предназначен за употреба в бита и в домашната работилница.
- Не използвайте електроуредта на открито (освен ако не е изрично предназначен за работа на открито).
- Не подлагайте електроуредта на действието на топлина, директна слънчева светлина или повишена влажност (например дъжд).
- Не потапяйте електроуредта в течност и го пазете от остри ръбове, които могат да го повредят.
- Не се допуска работа с електроуредта с мокри или влажни ръце. Ако електроуредът се намокри или навлажни по време на работа, веднага извадете щепсела от контакта. Не се допуска потапяне на електроуредта във вода.
- При работа с прахосмукачката във влажна околна среда използвайте предпазно устройство, задействано от остатъчен ток, за прекъсване на захранването. Използването на предпазно устройство намалява риска от поражение от електрически ток.
- Електроуредът трябва да се използва само по предназначение. Всякаква друга употреба, различаваща се от описаната в тази инструкция, ще се счита за неправилна употреба. Отговорността за всякаква повреда или нараняване, произтичащи от неправилна употреба, ще се носи от потребителя, а не от производителя.
- Никога не дръжте присъединителните отвори на електроуредта пред лицето си (особено към очите, ушите и пр.). Никога не насочвайте крайника към хора или животни.
- Преди да започнете работа с електроуредта се убедете, че в държача е поставена и правилно закрепена подходяща торбичка за прах. Неподходяща или неправилно закрепена торбичка за прах може да предизвика повреда на електроуредта и това ще анулира гаранцията.
- Не се допуска изсмукване на пепел, горещи въглини и др., едри парчета стъкло и остри предмети.
- Не се допуска изсмукване на прах от тонер за принтер или ксерокс, тъй като тонерът е електропроводим материал. Освен това е възможно прахът от тонер да не може напълно да се задържи от филтриращата система на прахосмукачката за мокро/сухо почистване и да се отдели във въздуха през вентилатора за изходящ въздух.
- Не се допуска почистване на възпламеними или отровни течности като бензин, нефт, киселини или други летливи вещества.
- Не се допуска изсмукване на течности с температура над 60°C, както и на всякакъв вид отровен или възпламеним прах.
- Не се допуска почистване на азбест или прах от азбест.
- Никога не поставяйте електроуредта полегнал на страна. Обръщайте особено внимание на хоризонталното положение и устойчивостта на електроуредта при работа на стълбище.



**ПРЕДУПРЕЖДЕНИЕ:** Винаги изключвайте електроуредта и изваждайте щепсела от контакта след приключване на работа, преди почистване, смяна на филтри и принадлежности, пренасяне или консервация. Никога не изваждайте щепсела като дърпате кабела. Демонтирайте всички принадлежности от електроуредта преди съхранение.

- Не се допуска съхраняване на електроуредта в непосредствена близост до източници на топлина.
- Никога не оставяйте работеща прахосмукачка без надзор. Ако трябва да се отдалечите от работната зона, първо изключете прахосмукачката или извадете щепсела от контакта (не издърпвайте кабела, а изваждайте щепсела).
- Никога не работете с електроуредта ако сте под влияние на медикаменти, алкохол или наркотици, ако сте подложени на лечение или сте уморени.
- Убедете се че кабелът е разположен така, че в него да не може да се спъват.
- Редовно проверявайте изправността на електроуредта и захранващия кабел. Не работете с неизправни електроуреди.
- Ако захранващият кабел е повреден, сериозно трябва да се извърши оторизиран сервиз на SPARKY.
- Не се опитвайте да ремонтирате електроуредта сами. Ремонтът на тези електроуреди може да се извършва само от квалифицирани специалисти в оторизираните сервиси на SPARKY при употреба на оригинални резервни части. Неправилният ремонт може да стане причина за възникване на значителна опасност за потребителя.
- Използвайте само оригинални принадлежности SPARKY. Употребата на неоригинални части или принадлежности представлява потенциална опасност и анулира гаранцията.
- Често проверявайте поплавяка.
- Ако забележите изтичане на течност от електроуредта, веднага го изключете и извадете щепсела от контакта.
- Не поставяйте електроуредта във вода. Проверете дали върху електроуредта няма разляна вода.
- Когато извърляте изсмукването вода се убедете, че спазвате законите разпоредби.
- Съхранявайте електроуредта само на надеждно и сухо място, извън достъпа на деца.
- Винаги поддържайте прахосмукачката чиста. Не се допуска употреба на разтворители или почистващи препарати, съдържащи разтворители.

Моля обърнете особено внимание на долу посочените специални изисквания за безопасност.

#### **СПЕЦИАЛНИ ИЗИСКВАНИЯ ЗА БЕЗОПАСНОСТ**

- Не се допуска изсмукване на гореща пепел и предмети с остри ръбове или краища.
- Не се допуска работа с електроуредта във влажни помещения.
- По време на работа се убедете че косата, дрехи-

те или части от тях няма да бъдат засмукани.

- Пазете прахосмукачката от източници на топлина като от радиатори, фурни и др.
- За да експлоатирате правилно този електроуред, трябва да съблюдавате правилата за безопасност, общите инструкции и указанията за работа, посочени тук. Всички потребители трябва да са запознати с тази инструкция за експлоатация и информирани за потенциалните рискове при работата с електроуредата.
- Този електроуред не е предназначен за употреба от лица (включително деца) с ограничени физически, сетивни или умствени възможности, с недостатъчен опит и познания, с изключение на случаите, когато се наблюдават и получават инструкции от лице, отговорно за тяхната безопасност.
- Децата трябва да са под надзор на възрастни, за да се гарантира, че няма да си играят с електроуредата.
- Производителят не носи отговорност за извършени от потребителя промени върху електроуредата или за повреди, предизвикани от подобни промени.
- Електроуредът е предназначен за работа в помещението и зони с нормална пожарна опасност съгласно "Наредба №2 "Противопожарни строително-технически норми". Не се допуска използването му във взривоопасна и пожароопасна среда, при температура на околния въздух над 40°C, в особено влажна среда, при наличие на валежи и в химически активна среда. Работното място трябва да е добре осветено.

## Запознаване с електроуредата

1. Ръкохватка
2. Прекъсвач
3. Капак
4. Поставка за филтри
5. Поплавък
6. Закопчалки
7. Контейнер
8. Закрепване на маркуча
9. 2 малки ролкови колелца
10. Маркуч комплект
11. Пластмасова тръба
12. Отвор за нагнетяване на въздух
13. Накрайник за твърди подови покрития
14. Торбичка за прах
15. Тесен крайник за цепнатини и фуги
16. Основи за ролковите колелца
17. Гнездо на закопчалка
18. Място за закрепване на принадлежности
19. Филтър от пенопласт
20. 2 големи колелца
21. Нагънат филтър от полиестер
22. Филтър за сухо почистване
23. Кука за намотаване на кабела

## РАЗОПАКОВАНЕ

В съответствие с общоприетите технологии на производство е малко вероятно новопридобитият от Вас електроуред да е неизправен или някоя от частите му да липсва. Ако забележите, че нещо не е наред, не работете с електроуредата докато повредената част не бъде заменена или дефектът не бъде отстранен. Неизпълнението на тази препоръка може да доведе до сериозна трудова злополука. Внимателно разопаковайте съдържанието на кутията.

1. Хванете двете закопчалки (6), придържачи капака (3) ( и ги сгънете нагоре (Фиг. 1).
2. Разхлабете закопчалките, свалете капака (Фиг. 2) и извадете съдържанието от контейнера.

Моля проверете наличието на всички части по горния списък, за да се уверите че са налице, както и че по време на транспортирането не са настъпили повреди.

## СГЛОБЯВАНЕ

- Хванете двете закопчалки, придържачи капака и ги сгънете нагоре (Фиг. 1).
- Освободете закопчалките и повдигнете капака нагоре и навън (Фиг. 2).
- Обърнете контейнера с отвора надолу върху стабилна, равна и чиста повърхност.
- Закрепете основите (16) на малките ролкови колелца (9) към контейнера с винтове. (Фиг. 3)
- Закрепете малките предни колелца (9) към техните основи (16) чрез притискане. (Фиг. 4)
- Закрепете монтираните заедно с основите големи задни колелца (20) към контейнера с винтове. Върху колелцата има маркировка (L и R) за монтиране отляво (L) и отдясно (R).
- Поставете контейнера в нормално положение.
- Поставете филтър, подходящ за работата, която ще извършвате.
- Поставете обратно капака върху контейнера.
- Подравнете капака със закопчалките.
- Закачете закопчалките към капака и ги притиснете надолу докато се чуе прищракване.
- Поставете широкия край на маркуча (10) в предния всмукателен отвор (8) на контейнера (Фиг.5). Зъбчето на щуцера на маркуча трябва да съвпадне с канала на входящия отвор. Завъртете щуцера в посоката, отбелязана със стрелка.
- Изберете подходящ крайник и/или тръба и ги поставете на маркуча (10), (Фиг. 6).
- След приключване на работа и почистване на електроуредата, съхранявайте принадлежностите, като ги поставите към съответните им закрепващи приспособления на прахосмукачката (Фиг. 7).

## Указания за работа

Тези електроуреди се захранват от еднофазно променливо напрежение и трябва да се присъединяват към контакти със защитни клеми. Радиосмущенията съответстват на Директивата за електромагнитна съвместимост.

## ПРЕДИ ДА ЗАПОЧНЕТЕ РАБОТА

- Проверете дали напрежението на електрическата мрежа отговаря на това, означено върху табелката с технически данни на електроуреда.
- Убедете се в изправността на захранващия кабел и щепсел. Ако захранващият кабел е повреден, замената трябва да се извърши от производителя или от негов сервизен специалист, за да се избегнат опасностите от замената.
- Прочетете, разберете и спазвайте указанията в точка "Инструкции за безопасност при работа с прахосмукачки".

## СУХО ПОЧИСТВАНЕ



**ПРЕДУПРЕЖДЕНИЕ:** Не се допуска почистване на вредни за здравето вещества.



**ПРЕДУПРЕЖДЕНИЕ:** Не се допуска изсмукване на течности при монтирани филтърни елементи за сухо почистване.

При сухо почистване се използват следните филтриращи елементи:

- а) Филтърът за сухо почистване (22) и торбичката за прах (14) може да се използват поотделно или заедно. Когато се използват заедно се увеличава ефективността на филтриране.
- б) Нагънати филтър (21) и торбичката за прах (14) могат да се използват поотделно или заедно. Когато се използват самостоятелно производителността на филтриране на нагънатия филтър е много по-висока от тази на торбичката за прах.

Производителност на филтриране:

Нагънат филтър - висока

Филтър за сухо почистване - средна

Торбичка за прах - ниска

- Убедете се, че електроуредът не е включен в захранващата мрежа.
- Убедете се, че контейнерът (7) е чист и подсушен.

### Филтър за сухо почистване

Монтирайте филтъра за сухо почистване (22) върху поставката за филтри (4). (Фиг. 8)

### Нагънат филтър

Поставте нагънатия филтър върху поставката за филтри (4) (Фиг. 9). Затворете поставката за филтри (4) с фиксиращата капачка като я завие. След продължителна употреба, филтърът трябва да се почисти посредством погупване или изчеткване.

При почистване на бетон или други подобни материали, отделящи ситен прах, нагънати филтър трябва да се изчетква и изтръсква по-често. Това е важна предпоставка за надеждната работа и дълготрайната експлоатация на Вашата прахосмукачка. Ако забележите, че силата на засмукване намалява, или ако констатирате, че нагънати филтър е повреден, трябва незабавно да го подмените с нов.

### Торбичка за прах

- Нахлузете торбичката за прах върху отвора за присъединяване на маркуча (Фиг. 10) от вътрешната страна на контейнера. Притиснете я докато влезе с шракване (Фиг. 11). Докато извършвате това действие, внимавайте да не повредите торбичката за прах.

Използването на неподходяща торбичка за прах анулира гаранцията.

Редовно проверявайте торбичката за прах (14) и я подменяйте когато се напълни до 2/3 от обема си. Торбичката е конструирана така, че да пропуска само въздух, а не прах. По тази причина употребявана торбичка не може да се използва повторно.

Не използвайте торбичката за прах при изсмукване на предмети с остри ръбове или мокри предмети.

- Поставте отново капака върху контейнера и затворете закопчалките.
- Поставете широкия край на маркуча върху предния всмукателен отвор на контейнера.
- Изберете необходимия краен фитинг (13,15) или тръба (11) и свържете към маркуча (10).
- Уверете се че прекъсвачът (2) на електроуреда е в изключено положение "O" преди да поставите щепсела на захранващия кабел в контакта.
- Поставете щепсела в контакта.
- Включете електродвигателя (прекъсвачът е в положение "I").
- След като приключите с почистването, изключете електродвигателя като поставите прекъсвача (2) в изключено положение "O".
- Извадете щепсела от контакта.

## МОКРО ПОЧИСТВАНЕ



**ПРЕДУПРЕЖДЕНИЕ:** Не се допуска почистване на вредни за здравето вещества.

- Уверете се, че щепселът на захранващия кабел на електроуреда е изваден от контакта.
- Проверете дали контейнерът (7) е изпразнен от праха и сметта.
- Свалете фабрично монтирания нагънат филтър (21), който не е подходящ за мокро почистване.
- Свалете торбичката за прах (14) и филтъра за сухо почистване (22) ако преди това сте работили с тях.
- Поставте филтъра от пенопласт (19) (Фиг.12) върху поставката за филтри.
- Поставте обратно капака върху контейнера и затворете закопчалките.
- Поставете широкия край на маркуча върху предния всмукателен отвор на контейнера.
- Изберете необходимия краен фитинг (13,15) или тръба (11) и поставете в маркуча (10).
- Уверете се, че прекъсвачът (2) на електроуреда се намира в изключено положение "O" преди да поставите щепсела на захранващия кабел в контакта.
- Поставте щепсела на захранващия кабел в контакта.

- Поставете прекъсвача (2) в положение "I", за да включите електродвигателя.
- Когато приключите с мокрото почистване, изключете прахосмукачката като поставите прекъсвача (2) в изключено положение "O".
- Извадете щепсела на захранващия кабел от контакта.
- След приключване на работа изпразнете и почистете контейнера (7).

**Препоръка:** Ако е необходимо да се изсмуче голямо количество течност от мивка или резервоар, не поставяйте целия накрайник в течността, а оставете част от накрайника свободна, за да осигурите засмукване на въздух заедно с течността.

Електроуредът е снабден с поплавък (5) (Фиг.13), който изключва прахосмукачката, когато контейнерът се напълни. Ще разберете че изсмукването е преустановено по това, че оборотите на електродвигателя ще се повишат. В този случай изключете електроуреда и извадете щепсела на кабела от контакта.

Трябва да си давате сметка, че пълният контейнер може да се окаже много тежък.

След приключване на мокрото почистване, изключете електроуреда и извадете щепсела на кабела от контакта. Изпразнете контейнера и го почистете/подсушете отвътре и отвън преди съхранение.

**ВАЖНО!** След мокро почистване, преди да преминете отново към сухо почистване, изпълнете изискванията, посочени в точка "Сухо почистване".

## НАГНЕТЯВАНЕ НА ВЪЗДУХ

Свалете куката за намотаване на кабела (23). Поставете широката част на маркуча в отвора в горната задна част на прахосмукачката. Зъбчето на щучера на маркуча трябва да съпадне с канала на входящия отвор. (Фиг.14)



**ПРЕДУПРЕЖДЕНИЕ:** Никога не обръщайте въздушната струя към хора, животни или предмети, тъй като излизаният въздух може да бъде горещ.

## ПРИНАДЛЕЖНОСТИ

МОДЕЛ	VC 1221
Маркуч комплект	•
Пластмасова тръба от 2 части	•
Торбичка за прах	•
Филтър за сухо почистване	•
Филтър от пенопласт	•
Нагънат филтър от целулоза	•
Накрайник за твърди подови настилки	•
Накрайник за фуги	•

Колелца	2 малки + 2 големи
Основи за ролковите колелца	2



**ПРЕДУПРЕЖДЕНИЕ:** Използвайте само оригинални принадлежности SPARKY. Употребата на неоригинални части или принадлежности представлява потенциална опасност и анулира гаранцията.

## Поддръжка

- Уверете се, че щепселът на захранващия кабел на електроуреда е изваден от контакта.
- Извадете маркуча (10) от контейнера.
- Освободете закопчалките (Фиг.1) и свалете капака от контейнера (Фиг.2).
- Почистете основно контейнера и маркуча от събраната смет и остатъците.
- Почистете филтъра от пенопласт (19) като го измиете със слаб препарат за миене.
- Проверете маркуча и присъединителните отвори и проверете дали захранващият кабел не е повреден.
- След като отстраните филтъра от пенопласт (19), проверете поплавъка (5). За да извършите това, хванете капака за ръкохватката и внимателно го обърнете, така че поставката за филтъра да сочи нагоре. Поплавъкът трябва да може да се движи свободно нагоре и надолу (Фиг.13).



**ПРЕДУПРЕЖДЕНИЕ:** Не се допуска употребата на спирт, бензин или други разтворители. Никога не използвайте разяждащи препарати за почистване на пластмасовите части.



**ПРЕДУПРЕЖДЕНИЕ:** Не се допуска вливането на вода в контакт с електроуреда.

**ВАЖНО!** За да се осигури безопасната работа с електроуреда и неговата надеждност, всички дейности по ремонта, поддръжката и регулирането трябва да се извършват в оторизираните сервиси на SPARKY с използване само на оригинални резервни части.

## ВЪЗМОЖНИ НЕИЗПРАВНОСТИ И ТЯХНОТО ОТСТРАНЯВАНЕ

Констатирана неизправност	Вероятна причина	Начин за отстраняване
Електроуредът не работи	Липсва захранване.	Проверете захранващото напрежение.
	Функционален отказ в захранващия кабел, прекъсвача или електродвигателя.	Проверете, ремонтирайте или подменете повредената част.
	Контейнерът е пълен с течност.	Изпразнете контейнера.
От капака на електродвигателя излиза прах	Липсва или е повредена торбичката за прах / нагънатия филтър.	Поставете или подменете торбичката за прах / нагънатия филтър.
Ниска засмукваща мощност и високи обороти на електродвигателя / вибрации	Нагънатият филтър е задръстен.	Подменете нагънатия филтър.
	Накрайникът, маркучът или контейнерът е запушен.	Проверете накрайника, маркуча и контейнера.

## Гаранция

Гаранционният срок на електроуредите SPARKY се определя в гаранционна карта.

Неизправности, появили се в следствие на естествено износване, претоварване или неправилна експлоатация, се изключват от гаранционните задължения.

Неизправности, появили се в следствие на влагане на некачествени материали и/или производствени грешки, се отстраняват без допълнително заплащане чрез замяна или ремонт.

Рекламация на дефектирал електроуред SPARKY се признава, когато се върне на доставчика или се представи на оторизиран гаранционен сервиз в неразглобено (първоначално) състояние.

## Забележки

Внимателно прочетете цялата инструкция за използване преди да използвате това изделие.

Производителят си запазва правото да въвежда подобрения и промени в своите изделия и да променя спецификациите без предупреждение.

Спецификациите могат да се различават за отделните страни.





